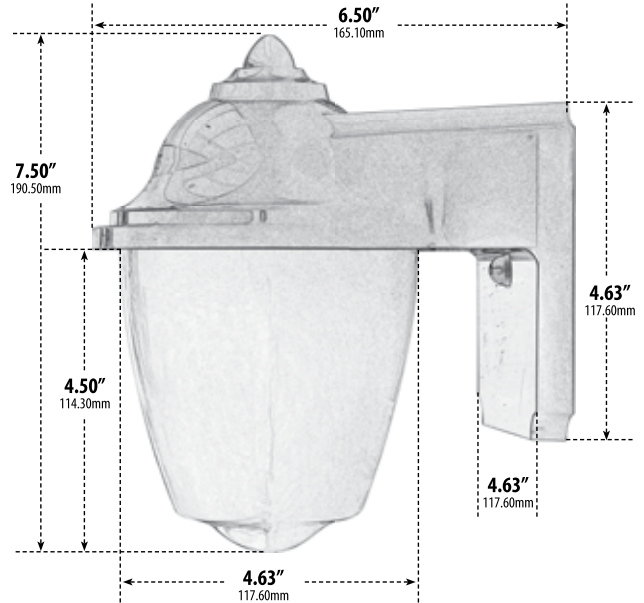


W2700

SURFACE MOUNTED WALL FIXTURE



Overall Dimensions:
4.63"W x 7.50"H x 6.50"D

Maximum Height: 7.50"
Width: 4.63"
Maximum Depth: 6.50"

Weight: 0.6 lbs
Approximate Wire Length: 5.38"
Box Dimensions: 8.00"W x 7.13"H x 8.00"D

- ▶ **Material:** Polycarbonate
- ▶ **Lens:** White, Heat Resistant, Polycarbonate Acorn
- ▶ **Available Finish:** Black, White
- ▶ **ETL Approved**

MODEL NUMBER	LAMP TYPE	ILLUMINANT TYPE	WATTS (W)	VOLTS (V)	LAMP(S) INCLUDED?
W2700	A-Type	Incandescent	60	120	NO
W2705	PL5	Fluorescent	5	120	YES
W2707	PL7	Fluorescent	7	120	YES
W2709	PLQ9	Fluorescent	9	120	YES
W2713	PLQ13	Fluorescent	13	120	YES
W2714	S13-GU24	Fluorescent	13	120	YES
W2715	S26-GU24	Fluorescent	26	120	YES

Replacement White Acorn: P-GLB-W2700 (sold separately)

DABMAR
LIGHTING

DABMAR LIGHTING INCORPORATED

2140 Eastman Ave . Oxnard, CA 93030 . 805.604.9090 . f: 805.604.9050 . www.dabmar.com