

W2010

SURFACE MOUNTED ADDRESS NUMBER WALL FIXTURE



- ▶ **Material:** Powder Coated Cast Aluminum
- ▶ **Lens:** Clear, Prismatic Polycarbonate Lens
- ▶ **Five Sets of Black-Colored Numbers Included**
- ▶ **Available Finish:** White
- ▶ **ETL Approved**

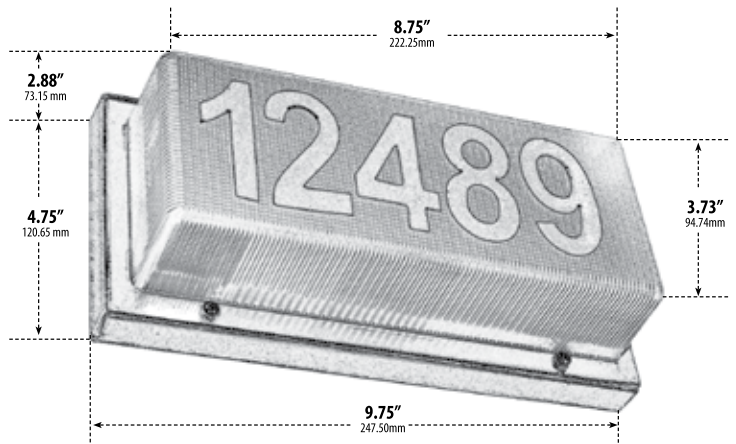
MODEL NUMBER	LAMP TYPE	ILLUMINANT TYPE	WATTS (W)	VOLTS (V)	LAMP(S) INCLUDED?
W2010**	PL13	Fluorescent	13	120	YES

**AVAILABLE IN 11W LED Add -LED11 to Model Number

Overall Dimensions:
9.75"W x 4.75"H x 2.88"D

Maximum Height: 4.75"
Width: 9.75"
Maximum Depth: 2.88"

Weight: 2.0 lbs
Approximate Wire Length: 11"
Box Dimensions: 3.19"W x 10.50"H x 3.38"D



DABMAR
LIGHTING

DABMAR LIGHTING INCORPORATED

2140 Eastman Ave . Oxnard, CA 93030 . 805.604.9090 . f: 805.604.9050 . www.dabmar.com