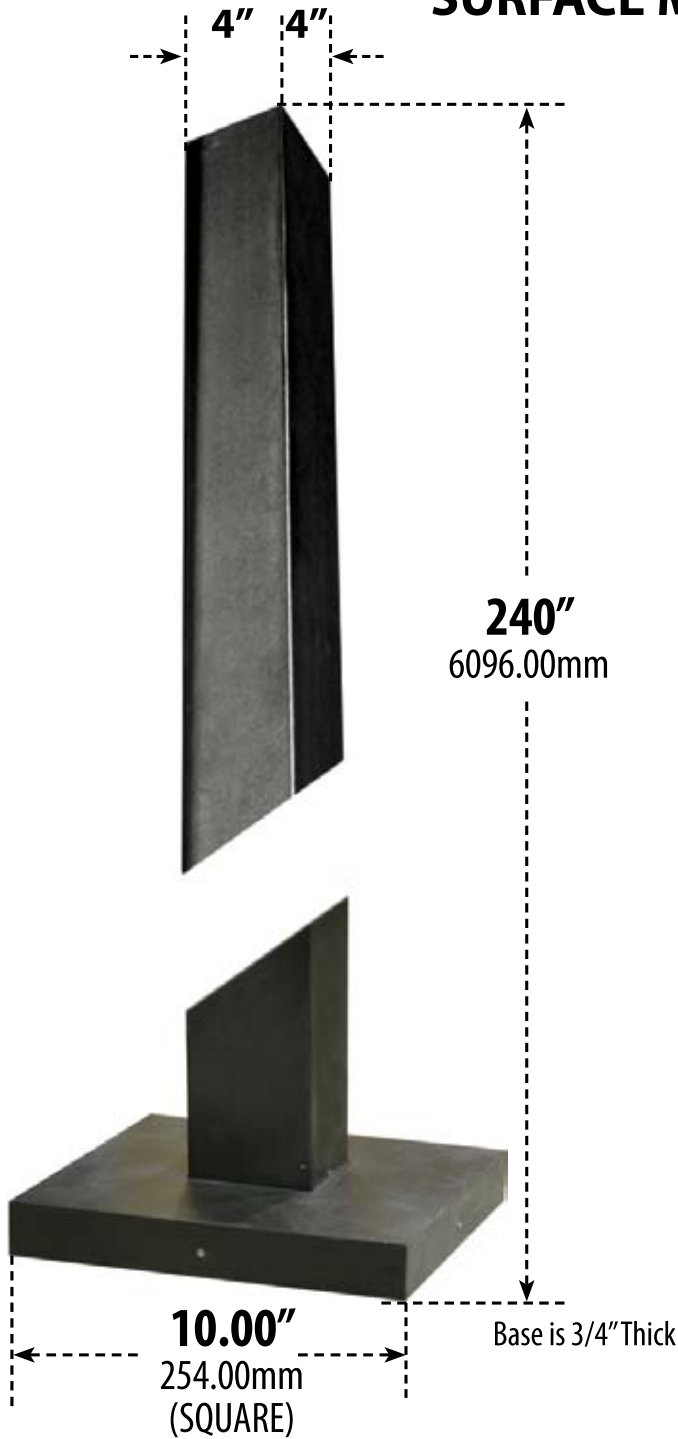
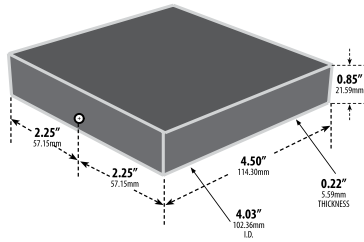


# PT-20SQ (NEW)

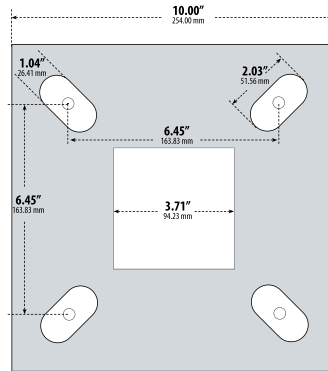
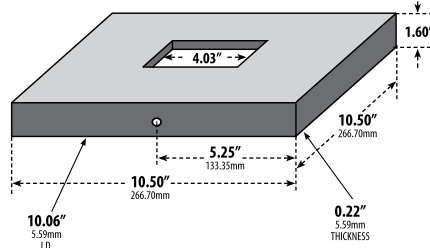
## SURFACE MOUNTED POST



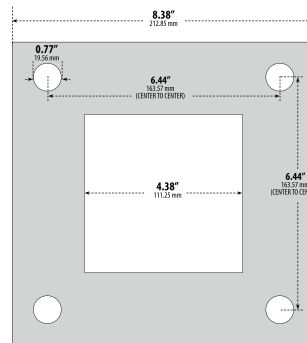
POST CAP/COVER



BASE COVER  
0.22" Thick

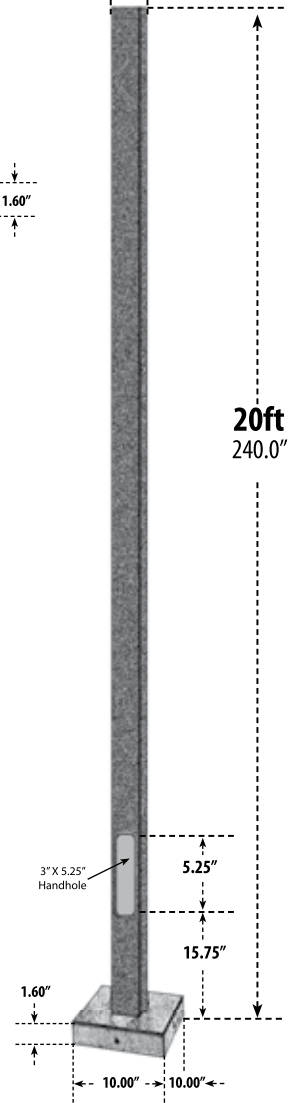


BASE PATTERN



TEMPLATE PATTERN

4.0" (SQUARE)



ALL POLES AND POSTS ARE POWDER COATED

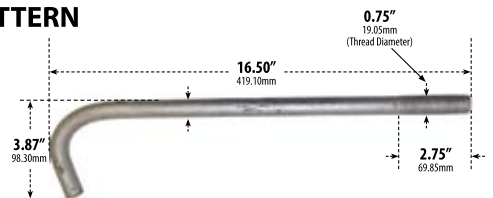
MODEL NUMBER	POLE HEIGHT	POLE DIAMETER	POLE MATERIAL	AVAILABLE FINISH
PT-20SQ	20'	4" x 4"	Galvanized Steel	B, BZ

Weight: 160 lbs

**DABMAR**  
LIGHTING

DABMAR LIGHTING INCORPORATED

2140 Eastman Ave . Oxnard, CA 93030 . 805.604.9090 . f: 805.604.9050 . www.dabmar.com



ANCHOR BOLT