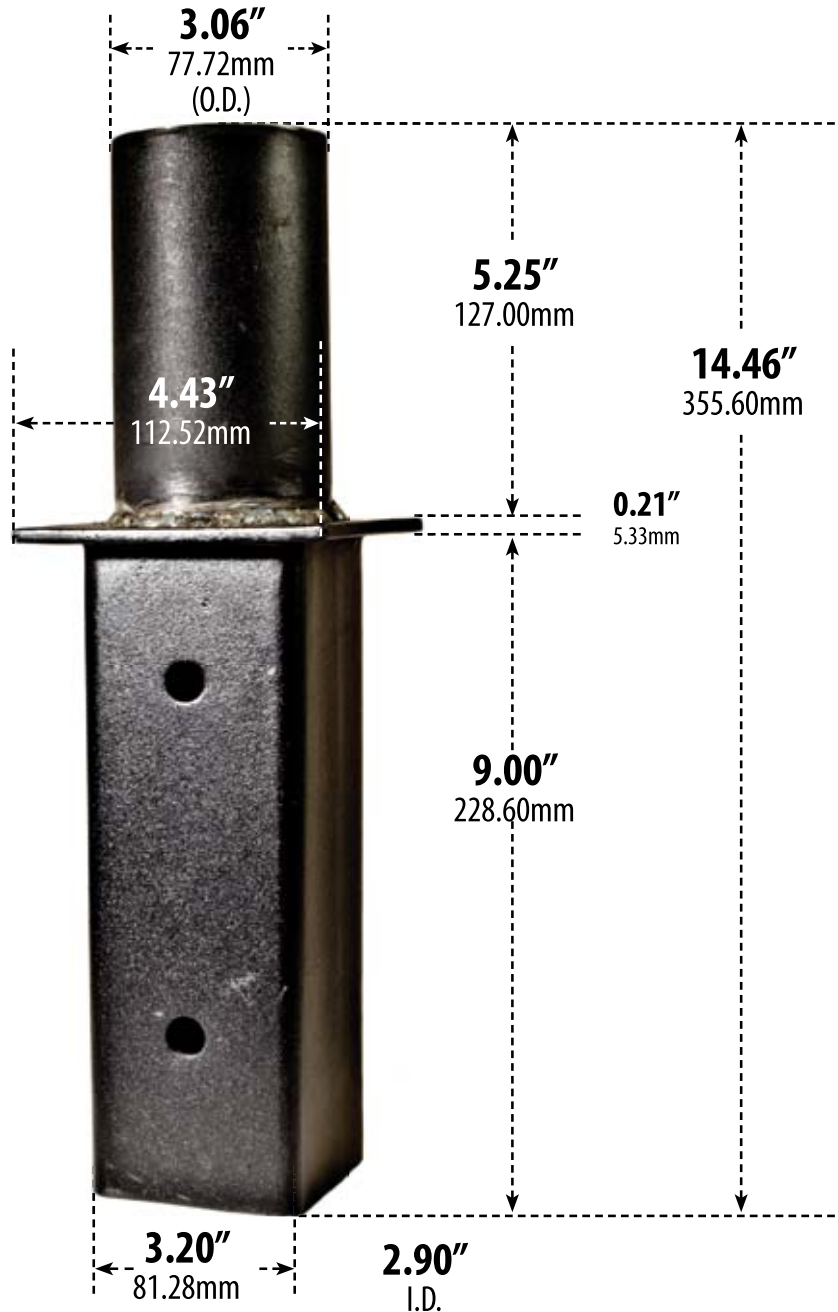


# P-BRK-ST7525/3

## SLIP-FITTER



► **TENON ADAPTORS**

► **Material:** Powder Coated Galvanized Steel with Welded Base

► **Available Finish:** Black, Verde Green

Overall Dimensions:

14.00 "H x 4.44"W x 4.44"D

Weight: 6.8 lbs

| MODEL NUMBER   |                              |
|----------------|------------------------------|
| P-BRK-ST7525/3 | ARM ADAPTOR FOR 4" X 4" POST |

**DABMAR**  
L I G H T I N G

DABMAR LIGHTING INCORPORATED

2140 Eastman Ave . Oxnard, CA 93030 . 805.604.9090 . f: 805.604.9050 . www.dabmar.com