

P-11-2

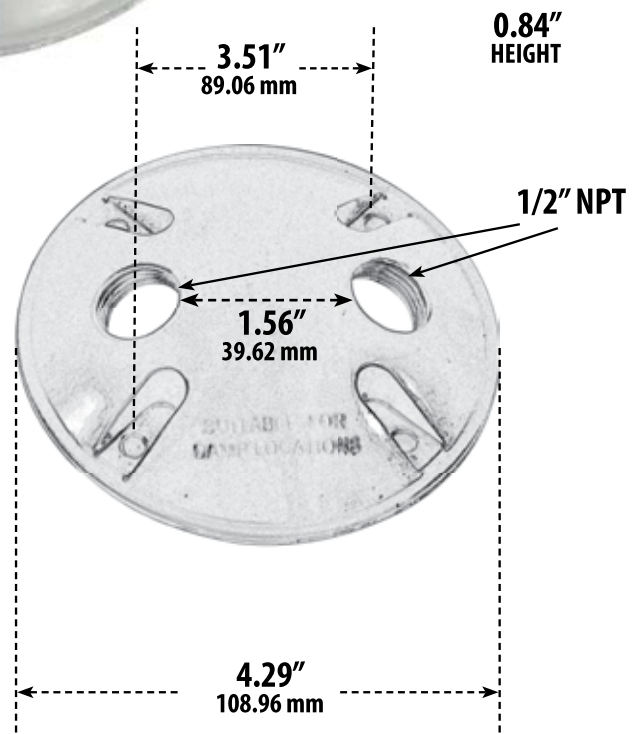
FEMALE BOX COVER



- **Material:** Powder Coated Cast Aluminum
- **Two 1/2" NPT**
- **Available Finish:** Black, Bronze, Gray

Overall Dimensions:
0.84"H x 4.29"W x 4.29"D

Weight: 3.2 oz
Box Dimensions: N/A



DABMAR
L I G H T I N G

DABMAR LIGHTING INCORPORATED

2140 Eastman Ave . Oxnard, CA 93030 . 805.604.9090 . f: 805.604.9050 . www.dabmar.com