

Type

Project

Catalog No.

Lamp/Wattage

NUFLED Series LED Flex-Light

Source: 0.5W, 1.0W, 1.5W & .072W RGB LED Modules

PRODUCT DESCRIPTION

Nora's new Flex-Light is the perfect solution for back lighting or indirect lighting. The flexible strings can be installed using included doubled faced tape or screwed into place. The Flex-Light can be positioned to specifications of the job to evenly illuminate panels or architectural details.

FEATURES

- 0.5W = 39 Lumens; 1.0W = 105 Lumens; 1.5W = 129 Lumens output per module
- 12V DC System
- Single color illumination or selectable RGB color changing
- 120° Beam angle
- No soldering or additional wiring required
- LED Module Strings come at specific On Center (OC) spacing
- Dimmable with dimmable power supply
- Easy to install with pre-applied double face tape.
- Screw holes provided in module
- UL Listed (Wet Listed for NUFLED-115)

CONSTRUCTION

Each plastic molded module contains aluminum heat dissipating back.

MOUNTING

Each module includes self adhesive back or can be installed using screws through holes in module. Strings can be cut and joined together using NDSA-2 or approved Class II connector.

DRIVER:

A wide variety of drivers are available from direct plug-ins, Class 2 hardware, and dimmable hardware. (60 watt Max per Run).

ELECTRICAL

Input: 12V DC Module Wattage for NUFLED-105 = 0.5W; NUFLED-110 = 1.0W; NUFLED-115 = 1.5 Watt

Light Source: NUFLED-105 = 2 LEDs per module; NUFLED-110 = 3 LEDs per module; NUFLED-115 = 1 LED per module; NUFLED-107RGB = 3 LEDs per module.

Operating Temperature: -25°C ~ 60°C (-13°F ~ 140°F)

Life Expectancy: 50,000 Hours

Maximum Run Length: (Single Maximum Run Length)

NUFLED-105 = 37.5' with magnetic dimmable drivers and 40' with electronic drivers.

NUFLED-110 = 26' with magnetic dimmable drivers and 30' with electronic drivers.

NUFLED-115 = 29' with magnetic dimmable drivers and 20' with electronic drivers.

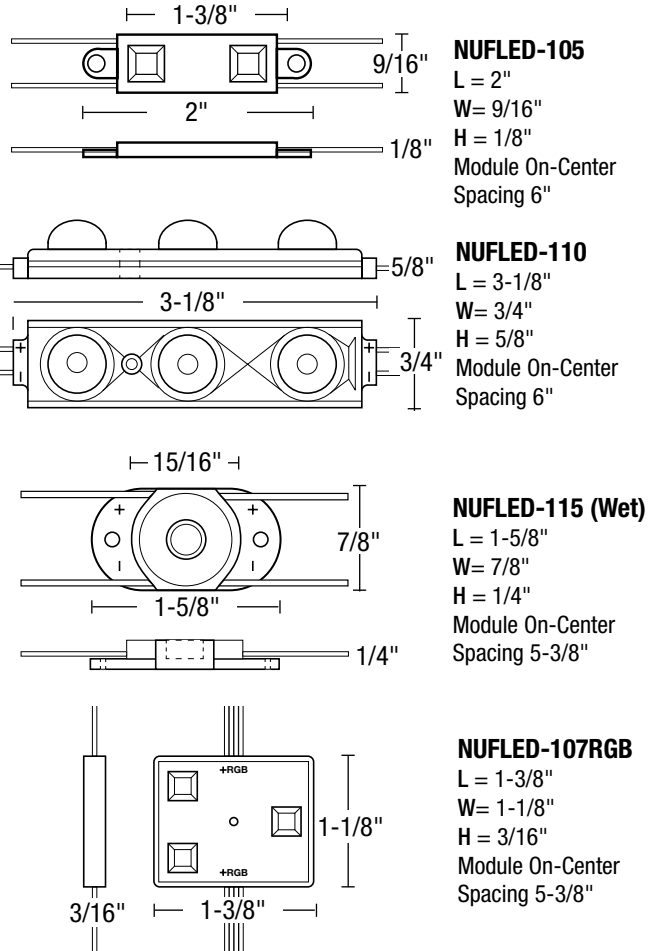
LABELS AND LISTINGS

UL Listed

3 Year Limited Warranty



DIMENSIONS



ACCESSORIES

NDSA-2	Terminal Block Connector, Plastic, 10A Max
NDSA-4	Terminal Block Connector, Porcelain, 10A Max
NDSA-14	Terminal Block Connector, porcelain, 30A Max

LED FLEX-LIGHT

CATALOG. NO.	WATTAGE	LUMENS	O.C.	STD. PACK LENGHT	COLOR TEMP.						
NUFLED-105	0.5/Mod.	39/Mod.	6"	16.67'	27 = 2700K	30 = 3000K	42 = 4200K	50 = 5000K	65 = 6500K	G = Green	R = Red
NUFLED-110	1.0/Mod.	105/Mod.	6"	20.83'	27 = 2700K	30 = 3000K	42 = 4200K	50 = 5000K	65 = 6500K	G = Green	R = Red
NUFLED-115 (Wet)	1.5/Mod.	129/Mod.	5-3/8"	25.00'	27 = 2700K	30 = 3000K	42 = 4200K	50 = 5000K	65 = 6500K	G = Green	R = Red
NUFLED-107RGB	0.72/Mod.	N/A	5-3/8"		R, G, B = R, G, B Color Changing						

Note: Flex-Light is specified and sold by the module. Standard pack for modules is 50. To calculate modules needed. Take total length required in "Inches" and divide by distance between module.

Example: NUFLED-115/50 - 12V DC 1.5 watt, 129 Lumens, 5000K Module