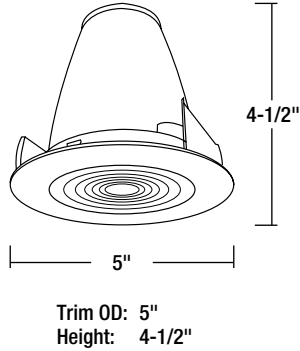


NTS-4223
Fresnel Lens with
Specular Clear Reflector and Metal Trim

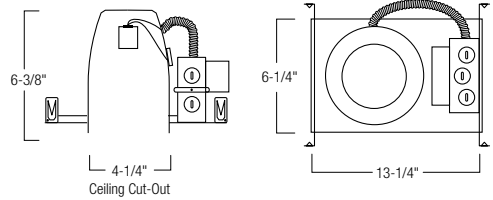
Type _____
 Project _____
 Catalog No. _____
 Lamp/Wattage _____

TRIM DIMENSIONS

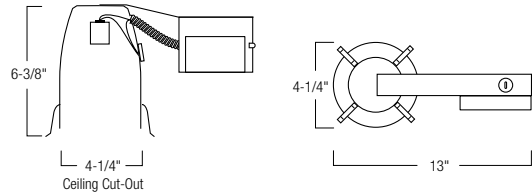


HOUSING DIMENSIONS

NHPIC-4 SERIES



NHRPIC-4 SERIES



FEATURES

Trim
 Precision spun 0.050 aluminum high grade specular clear reflector with high grade fresnel lens attached to metal trim.

Mounting
 Trim includes three trim clips that securely mount trim in housing.

Compatible Housings
 Compatible with Compact Fluorescent housings.
 See individual specification sheets for more information.

Lamp
Compact Fluorescent
 13W-18W Quad/Triple (NHPIC-4 Series, NHRPIC-4 Series)

Labels and Listings
 cULus Listed for Wet Location when used with compatible housing.

Compatible Housings

Fresnel Lens with Specular Clear Reflector and Metal Trim

- NTS-4223B: Fresnel Lens with Specular Clear Reflector and Black Metal Trim
- NTS-4223BZ: Fresnel Lens with Specular Clear Reflector and Bronze Metal Trim
- NTS-4223C: Fresnel Lens with Specular Clear Reflector and Chrome Metal Trim
- NTS-4223CO: Fresnel Lens with Specular Clear Reflector and Copper Metal Trim
- NTS-4223G: Fresnel Lens with Specular Clear Reflector and Gold Metal Trim
- NTS-4223N: Fresnel Lens with Specular Clear Reflector and Natural Metal Trim
- NTS-4223W: Fresnel Lens with Specular Clear Reflector and White Metal Trim

COMPACT FLUORESCENT

NHPIC-413ATE2	IC AT New Const. 120-277V	13W Q/T	W: 6-1/4" L: 13-1/4" H: 6-3/8"
NHPIC-413ELAT	IC AT New Const. 120V	13W Q/T	W: 6-1/4" L: 13-1/4" H: 6-3/8"
NHPIC-418ATE2	IC AT New Const. 120-277V	18W Q/T	W: 6-1/4" L: 13-1/4" H: 6-3/8"
NHPIC-418ELAT	IC AT New Const. 120V	18W Q/T	W: 6-1/4" L: 13-1/4" H: 6-3/8"
NHRPIC-413ATE2	IC AT Remodel 120-277V	13W Q/T	W: 4-1/4" L: 13" H: 6-3/8"
NHRPIC-413ELAT	IC AT Remodel 120V	13W Q/T	W: 4-1/4" L: 13" H: 6-3/8"
NHRPIC-418ATE2	IC AT Remodel 120-277V	18W Q/T	W: 4-1/4" L: 13" H: 6-3/8"
NHRPIC-418ELAT	IC AT Remodel 120V	18W Q/T	W: 4-1/4" L: 13" H: 6-3/8"