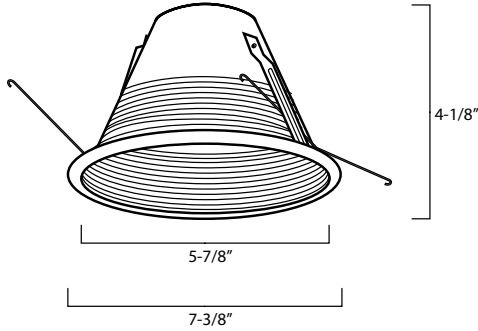


NTM-716
Air-Tight Aluminum Shallow Baffle Cone

Type
Project
Catalog No.
Lamp/Wattage

TRIM DIMENSIONS



FEATURES

Trim

Precision spun 0.040 aluminum baffle with deep grooves to reduce aperture glare and white flange.

Mounting

Trim includes two "V" torsion springs to mount trim securely to housing. Replacement "V" torsion springs are available (NRA-86). Socket can be mounted directly to trim without bracket.

Compatible Housings

NTM-716 is compatible with Line Voltage shallow housings.

Lamp

Line Voltage

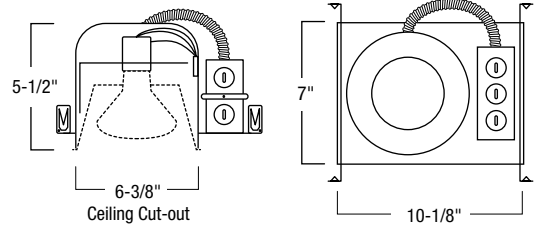
- 25W A19
- 50W R20 / PAR 20
- 60W A19
- 75W BR30 / PAR30

Labels and Listings

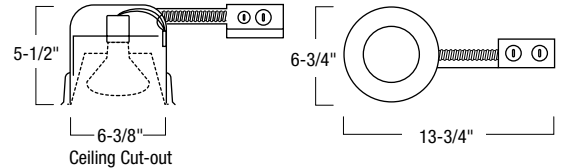
N/A

HOUSING DIMENSIONS

NHIC-27QAT / NH-27Q



NHRIC-27QAT / NHR-27Q



Air-Tight Aluminum Shallow Baffle Cone

- NTM-716BAL:** Air-Tight Aluminum Shallow Baffle Black Cone with White Flange
- NTM-716BZ:** Air-Tight Aluminum Shallow Baffle Bronze Cone with Bronze Flange
- NTM-716N:** Air-Tight Aluminum Shallow Baffle Natural Metal Cone with Natural Metal Flange
- NTM-716WAL:** Air-Tight Aluminum Shallow Baffle White Cone with White Flange

Compatible Housings

LINE VOLTAGE			
Item Number	Installation Type	Lamp	Dimensions
NHR-27Q	Non-IC Remodel	75W Max.	W: 6-3/4" L: 13-3/4" H: 5-1/2"
NH-27Q	Non-IC New Construction	75W Max.	W: 7" L: 10-1/8" H: 5-1/2"
NHRIC-27QAT	IC Air-Tight Remodel	75W Max.	W: 6-3/4" L: 13-3/4" H: 5-1/2"
NHIC-27QAT	IC Air-Tight New Construction	75W Max.	W: 7" L: 10-1/8" H: 5-1/2"