

Type
Project
Catalog No.
Lamp/Wattage

NTL-323 (Low Voltage Track)
MR16 European Style Carbal™ II
 Lamp: 20W - 50W Halogen MR16

PRODUCT DESCRIPTION

Low voltage die cast aluminum lamp holder attached to vertical swivel. Horizontal adjustment friction locked, knob provided to lock vertical adjustment. Ideal for high ceilings where extended suspension of lamp for maximum possible angle adjustment is desirable.

FEATURES

- Die cast aluminum body provides superior strength and rigidity.
- Low profile, aesthetic design.
- Completely concealed wiring.
- High-strength stainless steel electrical contacts.
- One or two circuit track capable.

CONSTRUCTION

Body Assembly

Main body 0.06 die cast aluminum housing connected to the lamp socket with 3 thumb screws. Vertical stem conceals wiring and connects lamp holder with swivel to transformer Two stainless steel screws secure a porcelain base socket.

Stem

0.042 Silver finished hollow steel stem carries wiring from fixture to transformer. Stem provides horizontal or pan angle aiming of fixture, with friction hold to desired angle.

Contact Head Assembly

Three .030 stainless steel contacts mounted to integral transformer.

Socket

Porcelain socket for GX5.3 12V MR16 protected lamp.

Lamp

50W 12V MR16 halogen lamp with integral protective cover (not included).

One/Two Circuit Conversion

Positive contact (opposite neutral and ground contacts) is preset to "down" position at factory but may be raised to the higher position to install onto the second circuit of Nora Lighting NT- 2300 series two-circuit track.

ELECTRICAL SYSTEM

1. Transformer – Solid-state electronic transformer provides noise-free voltage reduction and operation. If dimming, use electronic low voltage rated only dimming controls. *If dimming, lamp manufacturers recommend burning the MR16 at full power for 100 consecutive hours prior to using dimming control. Failure to apply this precaution may reduce lamp life. Integral Unit - 120V/60Hz Input; 12V Output; 50VA Max. Load

2. Wiring - Teflon coated wire lead connects socket and housing to electrical contact head. Teflon coating is durable and resists heat degradation from lamp and housing radiation.

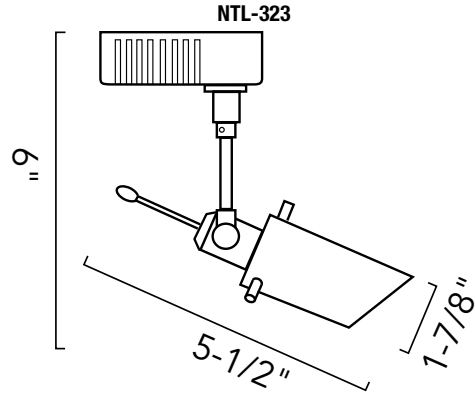
FINISHES

Transformer is black; remainder of fixture is silver powder coat.

LABELS AND LISTINGS

UL Listed.

DIMENSIONS



Diameter: 1-7/8"
 Length : 5-1/2"
 Max. Extension: 6"



European style Carbal™ II low voltage track

Catalog No.	Min. - Max Wattage	Finishes	Style
NTL-323	20W - 50W	S = Silver	H-Style

Create a complete track head number: Example: NTL - 323S