

Type
Project
Catalog No.
Lamp/Wattage

NTH-694 (Line Voltage Track)

MR16 Mini Baffle Round Back Cylinder

Lamp: 50W Halogen MR16 GU10 (Lamp Included)

PRODUCT DESCRIPTION

Line voltage die cast aluminum designer cube fixtures with MR16 light source. Yoke provides full adjustment of light source for special aiming and dual tightening knobs assure secure lock on angle position.

FEATURES

- Die cast aluminum provides superior strength and rigidity.
- Low profile, aesthetic design.
- Adjustable yoke for custom aiming.
- Clear shield included with fixture.
- High-strength stainless steel electrical contacts.
- One or two circuit track capable.

CONSTRUCTION

Contact Head Assembly

Three .030 stainless steel contacts mounted in high heat rated plastic housing

Housing

.030 die-cast aluminum construction; cubical appearance and design features. All edges are softened for aesthetic appearance. Perforated spherical screen in rear functions as wire outlet and provides additional design benefit.

Yoke

.085 Rigid steel yoke connects fixture housing to electrical contact head. Dual plastic angle tightening knobs maintain clean, decorative appearance of the fixture and provides secure angle position.

Lamp Shield

High temperature glass shield included. Mounted to front of lamp fixture and held in place with high-tension retaining spring clip.

ELECTRICAL SYSTEM

Wiring - Teflon coated wire lead connects socket and housing to electrical contact head. Teflon coating is durable and resists heat degradation from lamp and housing radiation.

Socket

Porcelain socket for GU10 MR16 lamp.

Lamp

One 50W MR16 GU10 Halogen Lamp (Included).
Beam Angle: 50° wide flood

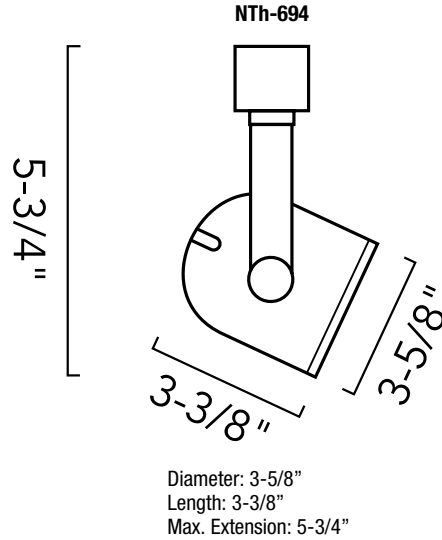
One/Two Circuit Conversion

Positive contact (opposite neutral and ground contacts) is preset to "down" position at factory but may be raised to the higher position to install onto the second circuit of Nora Lighting NT- 2300 series two-circuit track.

FINISHES

Black, Bronze, Natural Metal, and White heat rated baked enamel paint. Custom painting or anodizing for special applications is also available. Custom finishes will require lead times that vary depending on vendor schedule. Please consult factory for quotation, and provide either a Dunn Edwards number or color chip for exact matching.

DIMENSIONS



OPTIONAL ACCESSORIES

NM-100/MR16 MR16 Filter (Blue, Clear, Frosted, Green, Linear, Pink, Red, Spread, Yellow)

LABELS AND LISTINGS

UL Listed.



Mini Baffle Round Back Cylinder

Catalog No.	Min.- Max. Wattage	Finishes	Style
NTH-694	50W	B = Black	Blank = H-Style
		W = White	J = J-Style
			H = H-style

Create a complete track head number: 200 Series Example: NTH-694S