

Type
Project
Catalog No.
Lamp/Wattage

NTH-619 (Low Voltage Track)
MR16 European Style Metro™
 Lamp:50W Halogen GU10 MR16 (Lamp Included)

PRODUCT DESCRIPTION

Low voltage die cast aluminum lamp holder. Finished in silver for contemporary effect.

FEATURES

- Die cast aluminum body provides superior strength and rigidity.
- Low profile, aesthetic design.
- Completely concealed wiring.
- High-strength stainless steel electrical contacts.
- One or two circuit track capable.

CONSTRUCTION

Body Assembly

Main body die cast aluminum housing. Vertical stem conceals wiring and connects lamp holder with swivel to transformer Two stainless steel screws secure a porcelain base socket.

Stem

0.042 Silver finished hollow steel stem carries wiring from fixture to transformer. Stem provides horizontal or pan angle aiming of fixture.

ELECTRICAL SYSTEM

Contact Head Assembly

Three .030 stainless steel contacts.

Socket

Porcelain socket for GU10 MR16 protected lamp.

Lamp

50W MR16 halogen lamp with integral protective cover (Included).

One/Two Circuit Conversion

Positive contact (opposite neutral and ground contacts) is preset to "down" position at factory but may be raised to the higher position to install onto the second circuit of Nora Lighting NT- 2300 series two-circuit track.

Wiring - Teflon coated wire lead connects socket and housing to electrical contact head.

Teflon coating is durable and resists heat degradation from lamp and housing radiation.

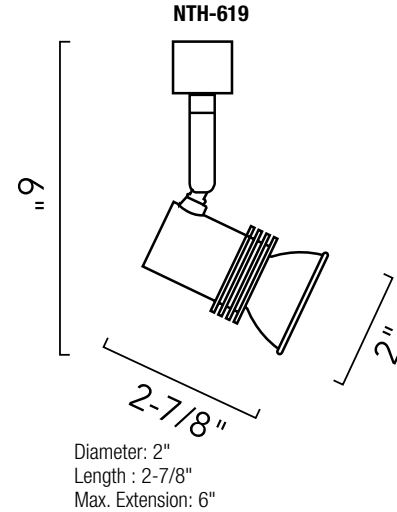
FINISHES

Fixture is silver powder coated.

LABELS AND LISTINGS

UL Listed.

DIMENSIONS



European style Metro™ low voltage track

Catalog No.	Min. - Max Wattage	Finishes	Style
NTH-619	20W - 50W	S = Silver	Blank = H-Style J = J-Style L = L-Style

Create a complete track head number: Example: NTH - 619S