

Type
Project
Catalog No.
Lamp/Wattage

NTH-618 (Line Voltage Track)

MR16 European Style Italia™

Lamp: 50W Halogen or LED GU10 MR16

PRODUCT DESCRIPTION

Low voltage die cast aluminum lamp holder. Finished in Silver, Black, White for contemporary effect.

FEATURES

- Die cast aluminum body provides superior strength and rigidity.
- Low profile, aesthetic design.
- Completely concealed wiring.
- High-strength stainless steel electrical contacts.
- One or two circuit track capable.

CONSTRUCTION

Body Assembly

Main body die cast aluminum housing. Vertical stem conceals wiring and connects lamp holder with swivel to transformer Two stainless steel screws secure a porcelain base socket.

Stem

0.042 Silver finished hollow steel stem carries wiring from fixture to transformer. Stem provides horizontal or pan angle aiming of fixture.

Socket

Porcelain socket for GU10 MR16 protected lamp.

ELECTRICAL SYSTEM

Wiring - Teflon coated wire lead connects socket and housing to electrical contact head. Teflon coating is durable and resists heat degradation from lamp and housing radiation.

Contact Head Assembly

Three .030 stainless steel contacts.

Socket

Porcelain socket for GU10 MR16 protected lamp.

Lamp

50W MR16 halogen or LED lamp with integral protective cover (Included).

One/Two Circuit Conversion

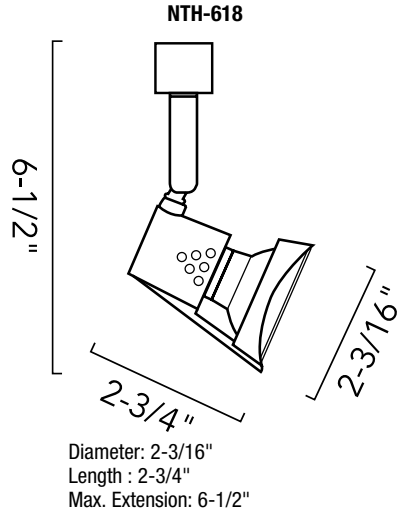
Positive contact (opposite neutral and ground contacts) is preset to "down" position at factory but may be raised to the higher position to install onto the second circuit of Nora Lighting NT- 2300 series two-circuit track.

LABELS AND LISTINGS

UL Listed.



DIMENSIONS



Lamp Options

H11 = 4W Dimmable 3000K, 25°, 300 Lumen GU10 MR16

E10 = 4.5W 3000K, 25°, 200 Lumen GU10 MR16

A12 = 4W, GU10, 3000K, 23°

European style Italia™ line voltage track

Catalog No.	Min. - Max Wattage	Finishes	Lamp	Style
NTH-618	20W - 50W	S = Silver	Blank = Halogen	Blank = H-Style
		B = Black	E10	J = J-Style
		W = White	H11	L = L-Style
			A12	

Create a complete track head number: Example: NTH-618SH11