

Type
Project
Catalog No.
Lamp/Wattage

NTH-616 (Line Voltage Track)
MR16 European Glass Disc Face
 Lamp: 20W - 50W Halogen MR16 (Lamp Included)

PRODUCT DESCRIPTION

Low voltage die cast lamp holder with decorative frosted glass disk mounted on two stainless steel posts protruding from face of MR16 light source. Horizontal adjustment friction locked, knob provided to lock vertical adjustment

FEATURES

- Die cast aluminum provides superior strength and rigidity.
- Low profile, aesthetic design.
- Decorative glass face provides unique effect for custom applications.
- High-strength stainless steel electrical contacts.
- One or two circuit track capable.

CONSTRUCTION

Body Assembly

Main body consists of a two-piece .080 die cast aluminum housing connected with four polished stainless steel screws. Two additional stainless steel screws secure a porcelain MR16 GU10 base socket.

Face

Two .2 stainless steel standoffs secure a .19 glass disk to housing in front of MR16 light source. Disk is 4-3/4" in diameter, with a 1-3/4" diameter opening in the center

Yoke

Ø8 Rigid steel curved yoke connects fixture housing to integral transformer. Black plastic tightening knob maintains clean, decorative appearance of the fixture and provides secure angle position.

ELECTRICAL SYSTEM

Socket- Porcelain socket for GU10 MR16 lamp.

Lamp- One 50W MR16 GU10 Halogen Lamp (Included).

One/Two Circuit Conversion- Positive contact (opposite neutral and ground contacts) is preset to "down" position at factory but may be raised to the higher position to install onto the second circuit of Nora Lighting NT- 2300 series two-circuit track.

Wiring - Teflon coated wire lead connects socket and housing to electrical contact head. Teflon coating is durable and resists heat degradation from lamp and housing radiation.

FINISHES

Fixture is silver powder coated.

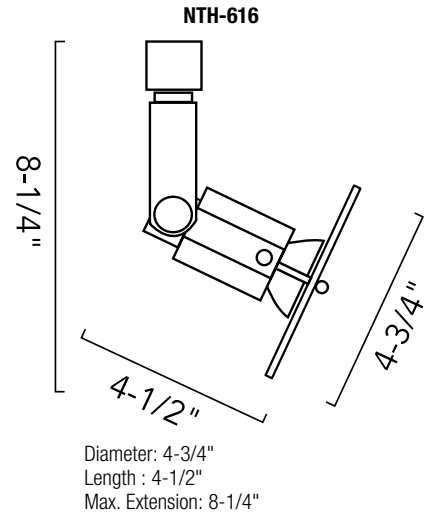
OPTIONAL ACCESSORIES

Re-Lamping Tool.....NT-363

LABELS AND LISTINGS

UL Listed.

DIMENSIONS



Micro II European Style Glass Disc Face

Catalog No.	Min. - Max Wattage	Finishes	Style
NTH-616	20W - 50W	S = Silver	Blank = H-Style J = H-Style L = L-Style

Create a complete track head number: Example: NTH-616S