

Type _____
 Project _____
 Catalog No. _____
 Lamp/Wattage _____

NTH-131 (Line Voltage Track)
Roundback Cylinder with Black Baffle.
 Lamp: 150W BR40/PAR38 (not included)

PRODUCT DESCRIPTION

Line voltage cylindrical housing with round back design and black baffle. includes a yoke that provides full adjustment of light source for special aiming and has dual tightening knobs assure secure lock on angle position.

FEATURES

- Die cast aluminum provies superior strength and rigidity.
- Black baffle eliminates glare and adds finished touch.
- One or two circuit track capable.

CONSTRUCTION

Housing

0.030" Deep drawn steel construction with simple, yet decorative design. All edges are softened for aesthetic appearance

Baffle

0.085" Black finished phenolic high heat rated plastic baffle, provides finished appearance and assists in eliminating glare from housing interior

Yoke

0.085" Rigid steel "wishbone" yoke connects fixture housing to electrical contact head. Dual plastic angle tightening knobs maintain clean, decorative appearance of the fixture and provides secure angle position

ELECTRICAL SYSTEM

Socket

Porcelain jacketed aluminum screw thread medium-base socket

Lamp

150W BR40/PAR38 (not included)

One/Two Circuit Conversion

Positive contact (opposite neutral and ground contacts) is preset to "down" position at factory but may be raised to the higher position to install onto the second circuit of Nora Lighting NT- 2300 series two-circuit track.

FINISHES

Black, and White powder coated finishes available, contact warehouse for custom finishes.

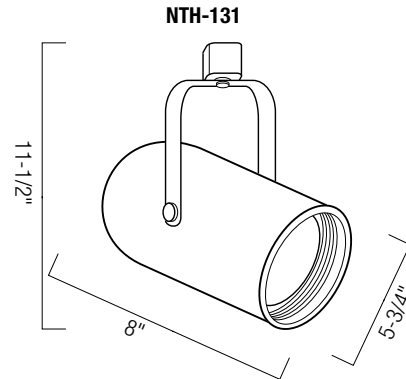
ACCESSORIES

- NT-340 BR40/PAR38 Black Barn Door
- NT-343 BR40/PAR38 Black Louver (requires NT-340 or NT-346)
- NT-346 BR40/PAR38 Black Accessory Holder

LABELS AND LISTINGS

UL Listed.

DIMENSIONS



Diameter: 5-3/4"
 Length : 8"
 Max. Extension: 11-1/2"



Roundback Cylinder with Black Baffle.

Catalog No.	Min. - Max Wattage	Finishes	Style
NTH-131	150W	B = Black	Blank = H-Style
		W = White	J = J-Style
			L = L-Style

Create a complete track head number: Example: NTH - 131 B