

Type _____
 Project _____
 Catalog No. _____
 Lamp/Wattage _____

NTH-105 (Line Voltage Track)
 Roundback Cylinder with Black Baffle.
 Lamp: 50W R20/PAR20

PRODUCT DESCRIPTION

Line voltage cylindrical housing with round back design and black baffle. A structural arm provides full adjustment of light source for special aiming and completely conceals wire lead from socket to contact head. Internal mechanism allows for adjustment and resists angle degradation.

FEATURES

- Die cast aluminum provides superior strength and rigidity.
- Black baffle eliminates glare and adds finished touch.
- One or two circuit track capable.

CONSTRUCTION

Housing

0.030" Deep drawn steel construction with simple, yet decorative design. All edges are softened for aesthetic appearance

Baffle

0.085" Black finished phenolic high heat rated plastic baffle, provides finished appearance and assists in eliminating glare from housing interior

Structural Arm

Extruded 0.055" aluminum arm connects fixture housing to electrical contact head. Internal tightening mechanism maintains desired lamp aiming angles. Structural arm also functions as wire way, completely concealing lead wire from socket to contact head.

ELECTRICAL SYSTEM

Socket

Porcelain jacketed aluminum screw thread medium-base socket

Lamp

50W R20/PAR20 Maximum (not included)

One/Two Circuit Conversion

Positive contact (opposite neutral and ground contacts) is preset to "down" position at factory but may be raised to the higher position to install onto the second circuit of Nora Lighting NT- 2300 series two-circuit track.

FINISHES

Black, White and Natural Metal powder coated finishes available, contact warehouse for custom finishes.

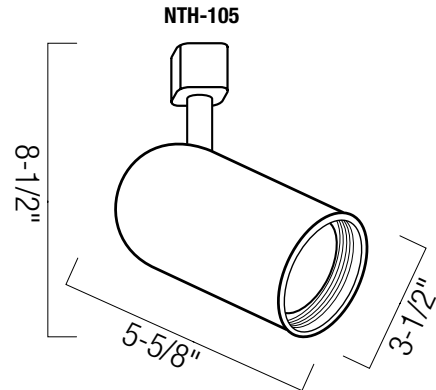
ACCESSORIES

- NT-338 R20/PAR20 Black Barn Door
- NT-341 R20/PAR20 Black Louver (requires NT-338 or NT-344)
- NT-344 R20/PAR20 Black Accessory Holder

LABELS AND LISTINGS

UL Listed for dry location

DIMENSIONS



Diameter: 3-1/2"
 Length : 5-5/8"
 Max. Extension: 8-1/2"



Roundback Cylinder with Black Baffle.

Catalog No.	Min. - Max Wattage	Finishes	Style
NTH-105	50W	B = Black	Blank = H-Style
		W = White	J = J-Style
		N = Natural Metal	L = L-Style

Create a complete track head number: Example: NTH - 1 05 B