

Type _____

Project _____

Catalog No. _____

Lamp/Wattage _____

NTE-840 Series

Cori LED Track Head

Lamp: 12W/23W LED Source

PRODUCT DESCRIPTION

Architecturally styled track head utilizing LED technology from Nora Lighting. The stylish LED track fixture is available in 12W or 23W, 3000K or 4200K color temperatures, and 15° spot or 35° flood light distribution. As always with LED technology there is no harmful UV and infrared rays, no projected forward heat makes it ideal for heat and UV light sensitive merchandise and artwork.

FEATURES

- Over 75% energy savings when compared to incandescent
- Up to 1581 Lumens and 83 CRI
- Available in two different wattages: 12W or 23W
- Available in two different color temperatures: 3000K & 4200K CCT
- Available in two different beam spreads: 15° & 35°
- Black, Silver, White Finishes
- One or two circuit track capable
- Available in J-Style
- Dimmable only with NTE-840D Series

CONSTRUCTION

Housing

Die-cast construction with heat dissipating fins, for driver and LED package to optimize heat management.

Slim Style

Architectural low profile design, slim vertical driver housing.

Adjustability

345° horizontal and 180° vertical adjustment.

Contact Head Assembly

Three 0.030 stainless steel contacts mounted in premium plastic housing.

One/Two Circuit Conversion

Positive contact (opposite neutral and ground contacts) is preset to "down" position at the factory, but may be raised to the high position to install onto the second circuit of Nora Lighting's NT-2300 series two-circuit track.

Finishes

Black, Silver, or White power coated.

ELECTRICAL

120V dimmable (only for 23W)

Power Consumption: 12 Watts (12), 23 Watts (23)

Lumens (12W): 741.7lm @ 3000K / 939.5lm @ 4200K

Lumens (23W): 1297lm @ 3000K / 1581lm @ 4200K

Color Rendering Index (12W): 81.1 CRI @ 3000K / 84.3 CRI @ 4200K

Color Rendering Index (23W): 81.1 CRI @ 3000K / 83.2 CRI @ 4200K

Light Source (12W): 7 LEDs

Light Source (23W): 9 LEDs

Beam Spread: 15° Spot (S), 35° Flood (F)

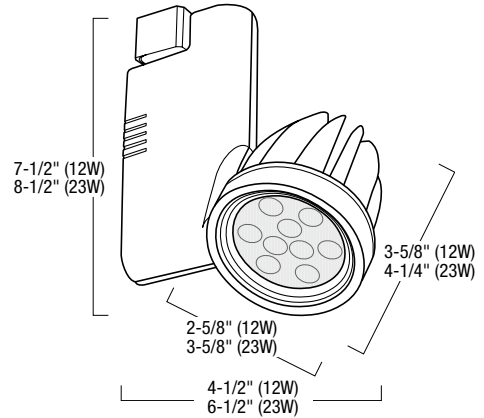
Life Expectancy: 50,000 Hours

Color Temperature: Warm White (3000K), Cool White (4200K)

Applications

Excellent choice for commercial, retail stores, art, and jewelry applications.

DIMENSIONS



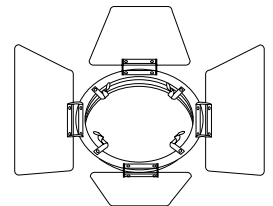
Width: 4-1/2" (12W) / 6-1/2" (23W)
 Length: 3-5/8" (12W) / 4-1/4" (23W)
 Diameter: 2-5/8" (12W) / 3-5/8" (23W)
 Max. Extension: 7-1/2" (12W) / 8-1/2" (23W)

Dimming:

[Click Here](#) or refer to www.NoraLighting.com for complete updated dimmer list in the "Compatibility" page under the "Resource" tab.

Optional Accessories

NT-339CPB: Barn Door for Cori, Black
 NT-339CPW: Barn Door for Cori, White
 NT-339CPS: Barn Door for Cori, Silver



Compatibility

Nora track heads are compatible with Halo or any other brands configured to Halo 3 wire track configuration. J-Style and L-Style track adapters are available.

Note: Fixtures may not be compatible with non-Nora monopoint adapters.

Labels and Warranty

cULus Listed
 5-Year Limited Warranty
 DLC Certified



Cori LED Track Head

Cori LED Track Head - select one from each column

Catalog No.	Source	Color Temp.	Beam Spread	Wattage	Finish	Style
NTE-840	L = LED	30 = 3000K	S = 15° (Spot)	12 = 12W	B = Black	(Blank) = H-Style
	D = Dimmable	42 = 4200K	F = 35° (Flood)	23 = 23W	S = Silver	/J = J-Style
					W = White	/L = L-Style

Optional Accessories

NT-339CPB: Barn Door for Cori, Black
 NT-339CPW: Barn Door for Cori, White
 NT-339CPS: Barn Door for Cori, Silver