

Type _____

Project _____

Catalog No. _____

Lamp/Wattage _____

NRS99-P45 / NRS99-P46**Canopy Mounted Pendant Adapter**

Lamp: 40W G9 Halogen

PRODUCT DESCRIPTION

Line voltage monopoint mount pendant fixtures include a field adjustable cord. A large selection of lamp shades offer a great array of choices.

Socket Assembly

Top neck of socket held by a ring. Accepts custom glass or Nora decorative elements with 7/8" opening (ordered separately). Socket is rated at 150°C maximum.

Cord

NRS99-P45: 8'-6" insulated wire rated min. 200°C, 300V.

NRS99-P46: 20' insulated wire rated min. 200°C, 300V.

Lamp

40W G9 Halogen max. (included)

Lamp Shield

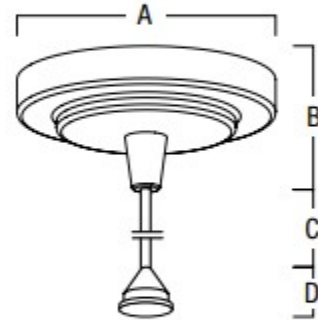
Frosted lamp shield is included.

Finishes

Brushed Nickel, Bronze, or Silver painted finishes.

Labels and Listings

UL and cUL Listed for Dry Location

**DIMENSIONS**

	NRS99-P45	NRS99-P46
A: Canopy Diameter:	4-1/2"	4-1/2"
B: Canopy Depth:	7/8"	7/8"
C: Cable Length:	8'-6"	20'
D: Socket Length:	2-1/2"	2-1/2"