

Type \_\_\_\_\_

Project \_\_\_\_\_

Catalog No. \_\_\_\_\_

Lamp/Wattage \_\_\_\_\_

**NRS98-P58****Canopy Mounted GU24 Pendant Adapter**

Lamp: 13-26W GU24 CFL

**PRODUCT DESCRIPTION**

Compact fluorescent GU24 monopoint mount pendant fixture includes a field adjustable 8'-6" cord and a large selection of lamp shades offer a great array of choices.

**FEATURES**

- Economic solution for energy efficient compact fluorescent
- Self ballasted lamp
- 75% Energy Savings over Incandescent
- Long life lamp - up to 10,000 hours
- Lamp wattage can be selected at the convenience of the end user.
- cUL Listed for Dry Location

**CONSTRUCTION****Socket Assembly**

Top neck of porcelain socket held by a die-cast ring. Accepts custom glass or decorative element with 7/8" opening (ordered separately)

**Cord**

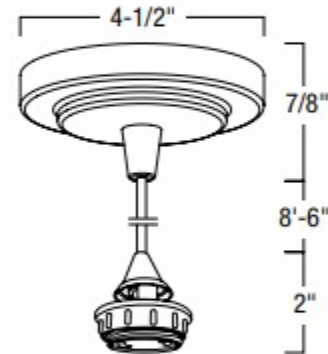
Insulated wire rated min. 200°C, 300V.

**Lamp**

26W Twist & Lock Spiral GU24 lamp maximum (ordered separately)

**Labels and Listings**

UL and cUL Listed for Dry Location

**DIMENSIONS**

Canopy Diameter: 4-1/2"

Canopy Depth: 7/8"

Cable Length: 8'-6"

Socket Length: 2"