

Type \_\_\_\_\_  
 Project \_\_\_\_\_  
 Catalog No. \_\_\_\_\_  
 Lamp/Wattage \_\_\_\_\_

**NRS34-202**

**Petra Swivel Low Voltage Luminaire with Porcelain Accent Shade**

Lamp: (1) 20-50W 12V lensed MR-16 (not included).

**PRODUCT DESCRIPTION**

Die cast lamp holder cup with bell shaped porcelain shade. Fixture provides aiming capability. Luminaire has small stem extending from rail connector, allowing full aiming and 350 degree adjustment with a low profile.

**SPECIFICATION**

**SHADE**

.15" High polished porcelain shade. Semi-opaque material creates a warm soft glow effect from the low voltage halogen source. Top neck of porcelain held by die cast ring

**STEM**

Material: Die Cast Aluminum 0.07". Stem secures vertical aiming position. Full aiming adjustment from stem.

**ELECTRICAL**

**WIRING**

Size: 18 gauge AWG, 105°C, 300V.

**SOCKET**

Porcelain socket rated for 50W 12V lamp max.

**TRANSFORMER**

Transformer – 60W or 75W, 120/12V step down transformer in enclosure.  
 Enclosure – material is 0.08" thick. 3.23" long by 1.61" wide by 1.34" high in center tapering to 1.1" high at sides.

**UNIVERSAL CONNECTOR**

Construction: 0.07" die cast aluminum shell  
 Contacts: Copper for positive and neutral Copper contact spring on top to provide solid contact with ground conductor located on top of rail.

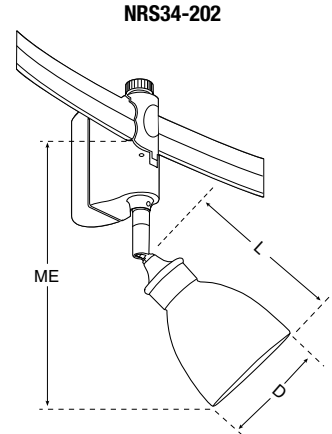
**FINISHES**

Brushed Nickel, Bronze, and Silver are available.

**LABELS AND LISTINGS**

UL and cUL Listed for dry location only.

**DIMENSIONS**



Diameter : 2-15/16"  
 Length : 4-1/4"  
 Max. Extension : 7-5/8"



**Petra Swivel Low Voltage Luminaire with Porcelain Accent Shade**

Catalog No.	Finish
NRS34-202	BN = Brushed Nickle BZ = Bronze S = Silver

Create a complete item number: Example: NRS34-202B N