

Type
Project
Catalog No.
Lamp/Wattage

NRS18-176

High-Tech Wire Die-Cast PAR Incandescent Luminaire

Lamp: (1) 50W PAR20 (not included)

PRODUCT DESCRIPTION

Line voltage Incandescent luminaire. Heavy die-cast construction provides superior strength, rigidity, and heat dissipation. U-shaped lamp cup enhances appearance and efficient heat dissipation. Luminaire has small stem extending from rail connector, allowing full aiming and 350 degree adjustment with a low profile

SPECIFICATION

HOUSING

Die-cast aluminum construction. Provided with three threaded protruding knobs, one for ground lead connection and two for securing the lampholder in place. Lamp adjustment Arm – Aluminum, min. 6 mm thick, “U” shaped, provided with openings for engagement of luminaire adaptor and lamp support assembly.

STEM

“U” shaped die-cast aluminum with integral channel and mounting clips for engagement of lamp. Secured to arm by screws.

LAMP CLIP

Material: die-cast aluminum 0.07”

ELECTRICAL

WIRING

Size: 18 Gauge AWG, 90°C, 600V

SOCKET

Medium base, porcelain socket rated for 250W 120V lamp max.

UNIVERSAL CONNECTOR

Construction: 0.07” die cast aluminum shell
 Contacts: Copper for positive and neutral Copper contact spring on top to provide solid contact with ground conductor located on top of rail.

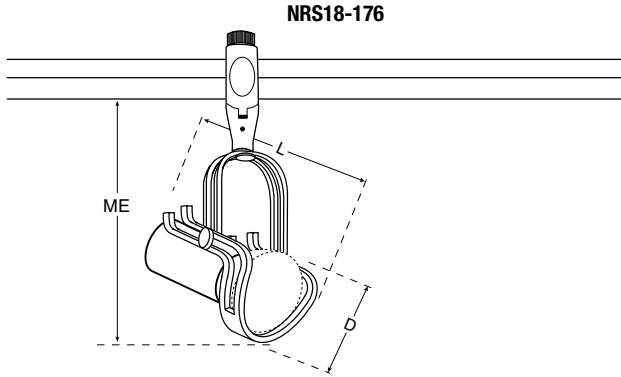
FINISHES

Brushed Nickel, Bronze, and Silver are available.

LABELS AND LISTINGS

UL and cUL Listed for dry location only.

DIMENSIONS



Diameter : 3-3/8"
 Length : 4"
 Max. Extension : 7-1/4"



High-Tech Wire Die-Cast PAR Incandescent Luminaire

Catalog No.	Finish
NRS18-176	BN = Brushed Nickle
	BZ = Bronze
	S = Silver

Create a complete item number: Example: **NRS18-176BN**