

Type
Project
Catalog No.
Lamp/Wattage

NRS18-133

Belgium Die-Cast PAR Front Loading Gimbal

Lamp: (1) 75W PAR30 (not included)

PRODUCT DESCRIPTION

Line voltage, front-loading gimbal fixture. Heavy die-cast construction provides strength, rigidity, and heat dissipation. Locking decorative front ring protects lamp. Front loading capability provides quick, easy lamp maintenance with minimal interference with fixture aiming. Luminaire has small stem extending from rail connector, allowing full aiming and 350° adjustment with a low profile.

SPECIFICATION

HOUSING

.09 die-cast aluminum two-piece housing with modernistic detail secured together with furnished Allenhead screw. Two arms constructed from .50 die-cast aluminum extend from the housing and contain a locking mechanism to secure .25 die-cast aluminum locking ring.

STEM

.10 "L" shaped steel bracket connects fixture housing to electrical contact head

ELECTRICAL

WIRING

Size: 18 Gauge AWG, 90°C, 600V

SOCKET

Porcelain jacketed aluminum screw thread medium base socket.

UNIVERSAL CONNECTOR

Construction: 0.07" die cast aluminum shell
 Contacts: Copper for positive and neutral Copper contact spring on top to provide solid contact with ground conductor located on top of rail.

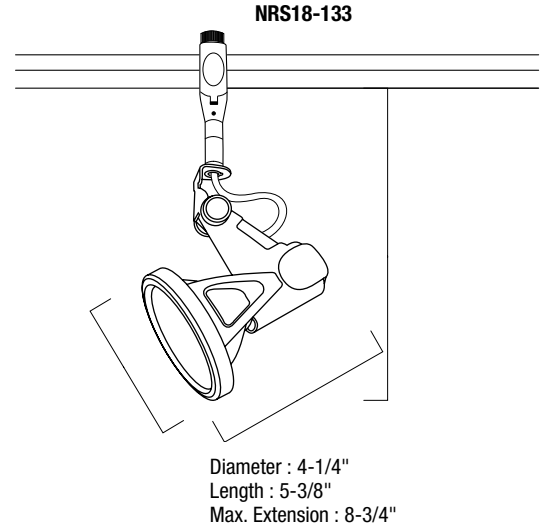
FINISHES

Brushed Nickel, Bronze, and Silver are available.

LABELS AND LISTINGS

UL and cUL Listed for dry location only.

DIMENSIONS



Belgium Die-Cast PAR Front Loading Gimbal

Catalog No.	Finish
NRS18-133	BN = Brushed Nickle BZ = Bronze S = Silver

Create a complete item number: Example: **NRS18-133BN**