

NRS11-260 Mercure Swivel Spot

Source: 120V, 40W G9 Halogen Included

PRODUCT DESCRIPTION

Mercure Swivel Spot is recommended for use with Mini Glass NRS82 or NG Series.

SPECIFICATION

ELECTRICAL

Lamp: 120V, 40W G9 Halogen Included

Lamp shield: Frosted Glass included.

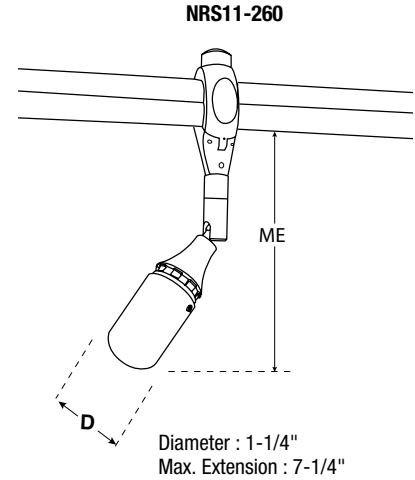
FINISHES

Brushed Nickel, Bronze, and Silver are available.

RECOMMENDED USE WITH

Item No.	Description	Color
NRS82-201	Paris Glass	(BU= Blue, BR=Brown, R= Red)
NRS82-202	Monte Glass	(AM= Amber, BR=Brown, W= White)
NRS82-203	Chicago Glass	(AM= Amber, BR=Brown, R= Red, W= White)
NRS82-204	Madeleine Glass	(AM= Amber, BU= Blue, BR=Brown, W= White)
NG-10	Round Glass	(A= Amber, G=Green, W= White)
NG-50	Conical Glass	(A= Amber, B= Blue, G=Green)
NG-66	Fluted Glass	(A= Amber, W= White)
NG-70	Split Cone Glass	(A= Amber, G=Green, W= White)
NG-80	Cylindrical Glass	(A= Amber, B= Blue, G=Green, W= White)
NG-90	Stepped Round Glass	(A= Amber, B= Blue, G=Green, W= White)

DIMENSIONS



Mercure Swivel Spot

Catalog No.	Finish
NRS11-260	BN = Brushed Nickle BZ = Bronze S = Silver

Create a complete item number: Example: **NRS11-260BN**