

Type \_\_\_\_\_  
 Project \_\_\_\_\_  
 Catalog No. \_\_\_\_\_  
 Lamp/Wattage \_\_\_\_\_

**NRS11-108**

**Lika Luminaire**

Lamp: (1) 50W MR16 GU10 120V (included)

**PRODUCT DESCRIPTION**

Line voltage MR16 adjustable gimbal ring fixture. MR16 lamp clips directly into the adjustable gimbal ring. Luminaire has small stem extending from rail connector, allowing full aiming and 350° adjustment with a low profile.

**SPECIFICATION**

**HOUSING**

Main body constructed from one piece 0.07" die-cast aluminum. Accent Ring – die-cast aluminum, secured to the main body by a screw.

**STEM**

Material: 0.07" die-cast aluminum.

**ELECTRICAL**

**WIRING**

Size: 18 Gauge AWG 200°C, 300V

**SOCKET**

GU10 porcelain base with nickel plated copper contacts.

**UNIVERSAL CONNECTOR**

Construction: 0.07" die cast aluminum shell  
 Contacts: Copper for positive and neutral Copper contact spring on top to provide solid contact with ground conductor located on top of rail.

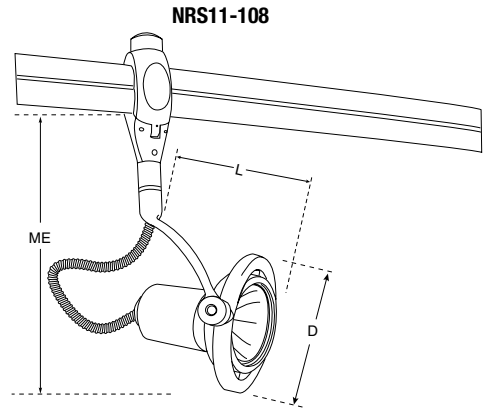
**FINISHES**

Brushed Nickel, Bronze, and Silver are available.

**LABELS AND LISTINGS**

UL and cUL Listed for dry location only.

**DIMENSIONS**



Diameter : 3"  
 Length : 2-3/4"  
 Max. Extension : 6-1/4"



**Lika Luminaire**

Catalog No.	Finish
<b>NRS11-108</b>	<b>BN</b> = Brushed Nickle
	<b>BZ</b> = Bronze
	<b>S</b> = Silver

Create a complete item number: Example: **NRS11-108BN**