

Type	_____
Project	_____
Catalog No.	_____
Lamp/Wattage	_____

NRS11-104

Neat Luminaire with Oval Shaped Lampholder

Lamp: (1) 50W MR16 GU10 120V (included)

PRODUCT DESCRIPTION

Die-cast aluminum GU10 MR16 luminaire. Concave back for accent design. Luminaire has small stem extending from rail connector, allowing full aiming and 358° rotation with a low profile.

SPECIFICATION

HOUSING

Main body constructed from one piece 0.07" die-cast aluminum

STEM

Material: 0.07" die-cast aluminum.

ELECTRICAL

WIRING

Size: 18 Gauge AWG 200°C, 300V

SOCKET

GU10 porcelain base with nickel plated copper contacts.

UNIVERSAL CONNECTOR

Construction: 0.07" die cast aluminum shell

Contacts: Copper for positive and neutral Copper contact spring on top to provide solid contact with ground conductor located on top of rail.

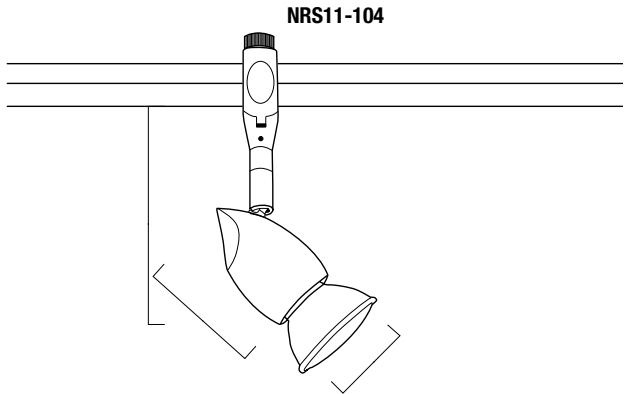
FINISHES

Brushed Nickel, Bronze, and Silver are available.

LABELS AND LISTINGS

UL and cUL Listed for dry location only.

DIMENSIONS



Diameter : 1-1/2"
 Length : 2-3/8"
 Max. Extension : 4-5/8"



Neat Luminaire with Oval Shaped Lampholder

Catalog No.	Finish
NRS11-104	BN = Brushed Nickle BZ = Bronze S = Silver

Create a complete item number: Example: NRS11-104BN