

Type _____
 Project _____
 Catalog No. _____
 Lamp/Wattage _____

NRS11-103LED
Sienna with LED GU10 MR16
 Lamp: LED GU10 MR16

PRODUCT DESCRIPTION

GU10 MR16 luminaire with tapered back and accent clip-on ring. Perforated body for proper heat dissipation. Luminaire has small stem extending from rail connector, allowing full aiming and 358° rotation with a low profile.

CONSTRUCTION

Housing

Main body consists of two parts lampholder and the face ring both are constructed from one piece 0.07" die-cast aluminum.

Stem

Material: Die-cast aluminum 0.07".

Socket

Porcelain GU10 socket with nickel plated copper contacts.

Wiring

Size: 18 Gauge AWG, 90°C, 300V.

Lamp

See LED Lamp Chart.

Universal Connector

Construction: 0.07" die-cast aluminum shell.

Contacts: Copper for positive and neutral.

Copper contact spring on top to provide solid contact with ground conductor located on top of rail.

Finishes

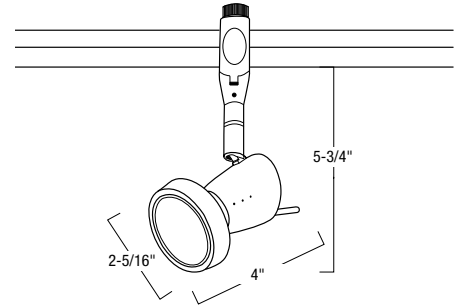
Brushed Nickel, Bronze, or Silver finish coating on all die-cast parts and fittings.

Labels and Warranty

cULus Listed for dry location



DIMENSIONS



Length: 4"
 Diameter: 2-5/16"
 Max. Extension: 5-3/4"

LED Lamp Chart (Lamps are Energy Star and cULus Listed)

ORDER SUFFIX	KELVIN	WATTS	LUMENS	BEAM ANGLE	CBCP	CRI	RATED LIFE	DIMMABLE
LED GU10 MR16								
H10	2700	3	165	22	550	90	25K	Yes
E10	3000	4.5	200	25	800	82	25K	NO

Sienna with LED GU10 MR16

Catalog No.	Finish	LED Lamp
NRS11-103	BN = Brushed Nickel	H10 = LED GU10 MR16
	BZ = Bronze	E10 = LED GU10 MR16
	S = Silver	

Create a complete item number: Example: NRS11-103BNH10