

Type
Project
Catalog No.
Lamp/Wattage

NHRM-512 (850/1250LM)
NHRM-520 (2000LM)
5" AirTight LED Marquise Remodel Housing

PRODUCT DESCRIPTION

Remodel housing for use in existing sheet rock ceilings where access is only available from below the ceiling.

CONSTRUCTION

Housing

0.040 aluminum adjusts to a maximum ceiling thickness of 1-3/8" (35mm). Housing terminates at 1/4" ceiling flange for even positioning of housing angle within the ceiling. Structural arm consisting of 0.050 structural steel connects housing with junction box. Fixture may be installed in areas where it will have direct contact with thermal insulation.

Air Flow Restriction

Housing has factory installed gaskets to restrict airflow from room into ceiling plenum to <2CFM (cubic feet per minute) in accordance with ASTM-283 Air-Tight requirements.

Mounting

Four high tension springs secure the housing to an existing sheet rock ceiling. Accommodates ceiling thickness to 1-3/8" (35mm).

Junction Box

Plaster frame integrated 15 cu. in. junction box 0.064 galvanized steel with five 1/2", two 3/4" knockouts, and four Romex® pryouts. Electrical grounding automatic when feeding with grounded steel EMT pipe or flex. Green wire provided for installations with ground wire fed through PVC pipe conduit.

Diming

- 850 & 1250 Lumen Triac dimming standard
- Comfort Dim requires ELV dimmer
- 2000 Lumen 0-10V dimming standard
- Consult factory for optional 850 & 1250LM 0-10V and 2000LM triac dimming

Quick Connect Feature

Housing contains three UL approved quick connections that allow insertion of 1/4" stripped solid or tinned standard conductors to be inserted into the connector. Connectors are pre-attached to fixture power, common, and ground circuits.

Thermal Protector

External thermal device is located on the junction box.

Trim

Compatible with NRM-51 Series.

DRIVER

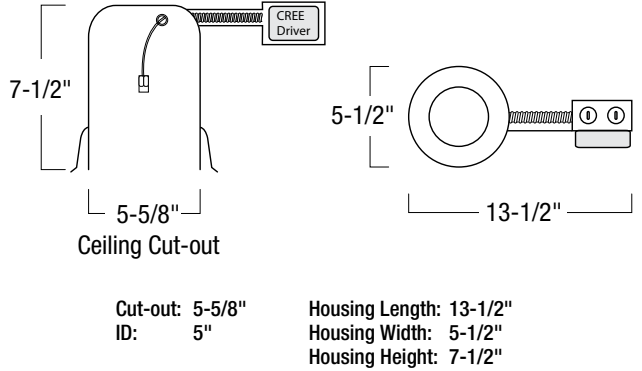
- CREE LMD125 for 120V 850/1250 Lumen. ERP ELM03W-0440-34 for 277V 850/250Lumen
- CREE LMD300 for 120/277 2000LM

Wiring

Standard flex whip carries wire lead from junction box into housing. Wire leads extend from housing and thermal device to the luminary disconnect.

EMERGENCY

90-minute battery back up must be ordered separately and installed apart from the housing in an accessible location.



Bodine Emergency Lighting Equipment: BSL17-C2/BSL17C-C2 (850/1250lm)

- Up to 7.0W max emergency illumination with LEDs.
- Illumination Time: 90min
- Dual Input Voltage: 120/277 VAC, 60Hz
- Output Voltage: 15.0-50.0 VDC
- AC Input Current: 45 mA
- Output Current: 470mA max
- Dimension: 12" x 2.4" x 1.5"

Bodine Emergency Lighting Equipment: BSL17C-C2P (2000/3000lm)

- Up to 7.0W max emergency illumination with LEDs.
- Illumination Time: 90min
- Dual Input Voltage: 120/277 VAC, 60Hz
- Output Voltage: 15.0-50.0 VDC
- AC Input Current: 280 mA
- Output Current: 270mA max
- Dimension: 12" x 2.4" x 1.5"

Labels and Listings

cULus Listed for Damp Location w/ Feed Through
 cULus Wet Listed (Only with designated trims)
 Meets or exceeds ASTM-283 Air-Tight Requirements



5" LED Marquise Remodel housing

Catalog No.	Description	Driver	Voltage	Emergency
NHRM-512	5" 1250lm Remodel	(Blank)=Standard	LE1=120V	EM=Emergency
NHRM-520	5" 2000lm Remodel	C=Comfort Dim	LE2=277V	