

Type _____

Project _____

Catalog No. _____

Lamp/Wattage _____

NELK-50**Low Voltage Emergency Rerofit Kit****PRODUCT DESCRIPTION**

Emergency relay kit for use with existing low voltage lighting fixtures, already installed in the ceiling. Emergency relay system automatically switches low voltage fixture between emergency and normal power operation during power loss and restoration. The remote location battery unit operates up to four 50W low voltage lamps for a minimum of 90 minutes to allow safe egress during power outage. Upon restoration, the fixture returns to normal AC operation while the emergency battery unit returns to charging mode. Must be powered by NEBU Series remote battery unit (ordered separately) or 12V emergency power system.

APPLICATION & HOW TO SPECIFY

The NELK Kit can be used with most 3", 4", and 6" magnetic low voltage housings. The system can be customized to your application using our various emergency battery units (battery unit ordered separately).

FEATURES

- Trouble-free installation on most magnetic low voltage fixtures
- Powered by battery unit or 12V external emergency power source
- Maintenance Free Lead-Calcium Battery
- Integral Indicator light and test switch on battery

INSTALLATION

The NELK-50 relay unit is easily installed onto any fixture with a standard junction box knockout. One NELK-50 relay unit is required for each low voltage fixture selected to operate in emergency mode. The NEBU battery unit can be mounted out of sight in a storage closet, or any other accessible area.

ELECTRICAL

Input Voltage: 120V or 277V, 60Hz

Lamps Operated: 50W MR16, PAR36 or AR111

Battery: 6V, 12ah or 12V, 18ah Sealed Lead-Calcium Battery

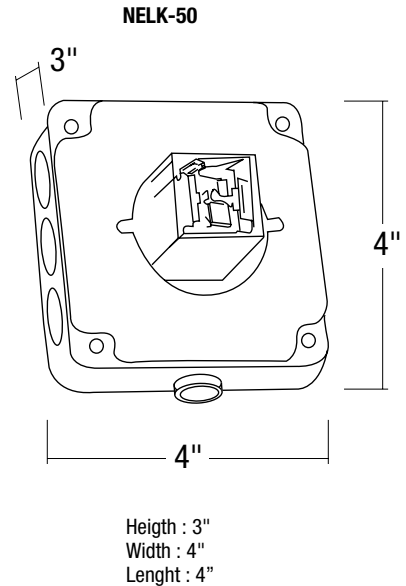
OPERATION

90-minute emergency operation

24-hour charging time for completely depleted battery

APPROVALS & LISTINGS

- UL Listed
- NFPA-LSC
- NEC/OSHA

DIMENSIONS**Low Voltage Emergency Rerofit Kit**

Catalog No. _____

NELK-50

Create a complete item number: Example: NELK-50