

Type	_____
Project	_____
Catalog No.	_____
Lamp/Wattage	_____

NE-806

Beveled Integral Dual Head Emergency Light

Lamp: (2) 5VA/T5WB

PRODUCT DESCRIPTION

Dual-head DC emergency light with 120V/277V AC Charging. Low profile integrated design. Provides 90 minute illumination during power loss. Internal solid-state circuitry automatically switches fixture between charging/standby and emergency operation.

CONSTRUCTION

BODY

- 11-13/16" Width X 5" Height X 2-11/16" Depth
- Injection-molded housing with access for ceiling or wall power supply

FACE

- Injection molded face with two clear polycarbonate covers on beveled surfaces.

MOUNTING

- Wall or Ceiling
- Mounting hardware included

ELECTRICAL

VOLTAGE

- Dual 120V/277V input
- Automatic solid state switching and charging
- Automatic reset
- Quick wire connection - no extra hardware necessary

LIGHT SOURCE

BATTERY

- Replaceable 6V, 4A lead-calcium maintenance-free battery for backup operation during power loss
- 90 minute emergency operation on fully charged battery

TESTING

- High-charge/Ready operation indicator light
- Test button

CIRCUITRY PROTECTION

- Isolated surge/short circuit protection

OPERATING LIFE EXPECTANCY

4 Years

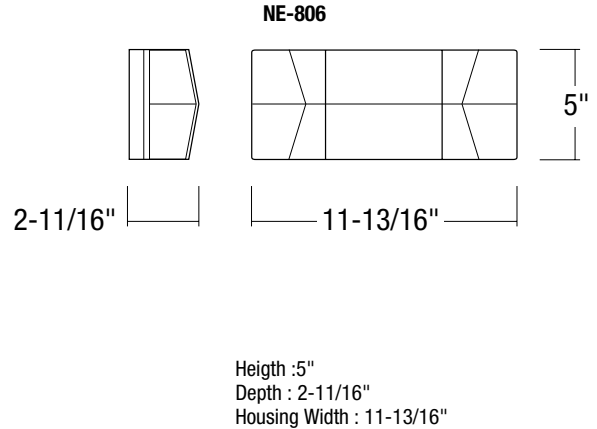
LABELS AND LISTINGS

- UL 924 Compliant
- ETL Listed
- NEC
- NFPA
- State & Municipal
- Damp Location

ACCESSORIES

Spare Lamps	Consult factory
Spare lead-calcium battery	NEB-6V-4
Plastic Shield	NEXS-P1
Metal Shield	NEXS-M1

DIMENSIONS



Beveled Integral Dual Head Emergency Light

Catalog No.	Housing
NE-806	W = White

Create a complete track head number: Example: NE - 806 W