

# LVT900-MT-SS

## LOW VOLTAGE MULTI-TAP TRANSFORMER



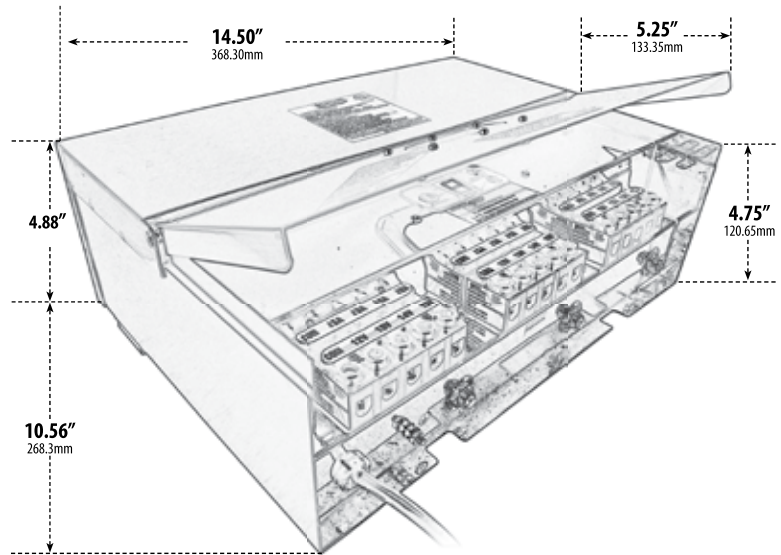
- ▶ **Material:** Stainless Steel
- ▶ **Digital Photo Cell and Timer**
- ▶ **Wattage:** 900W
- ▶ **Primary Voltage:** 120V
- ▶ **Secondary Voltage:** 12V, 13V, 14V, 15V
- ▶ **Terminals:** Three Taps (3 x 300W)
- ▶ **Wiring:** 6FT. Power Cord Included
- ▶ **Suitable Only for Outdoor Use**
- ▶ **Available Finish:** Polished Stainless Steel
- ▶ **Digital Timer/Replacement Photocell:** -PH-LVT
- ▶ **UL Listed**

Overall Dimensions: 10.56"H x 14.50"W x 4.88"D

Weight: 45.2 lbs

Approximate Wire Length: 72"

Box Dimensions: 13.25"H x 17.00"W x 8.25"D



**DABMAR**  
LIGHTING

DABMAR LIGHTING INCORPORATED

2140 Eastman Ave . Oxnard, CA 93030 . 805.604.9090 . f: 805.604.9050 . www.dabmar.com