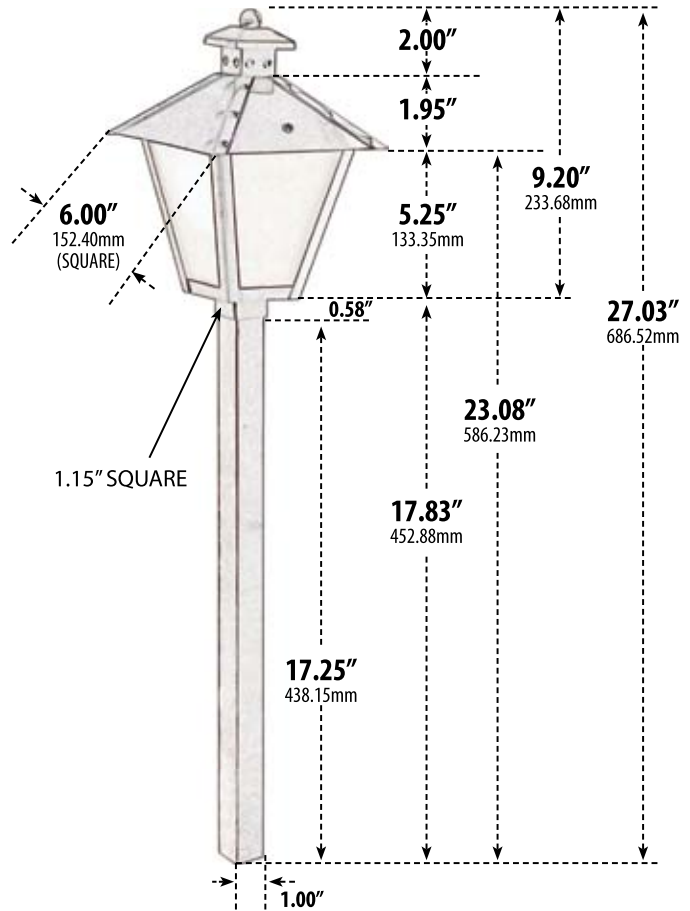


# LV82

## PATH, WALKWAY AND AREA LIGHT



- ▶ **Material:** Brass
- ▶ **Lens:** Frosted, Heat Resistant, Tempered Glass
- ▶ **Lamp:** JC Bi-Pin Base (20W Maximum)

MODEL NUMBER	LAMP TYPE	ILLUMINANT TYPE	WATTS (W)	VOLTS (V)	LAMP(S) INCLUDED?
LV82	JC	HALOGEN	20	12	YES
LV-LED82	JC-LED	LED	1.3	12	YES

Pre-wired with UL Listed Direct Burial Wire/Cable

- ▶ **1/2" NPT**
- ▶ **Ground Spike Included for Installation**
- ▶ **Connector Available:** P-CN01 (sold separately) See page 89
- ▶ **Available Finish:** Antique Bronze, Antique Brass
- ▶ **ETL Approved**

Overall Dimensions:  
29.00"H x 12.25"W x 12.25"D

Maximum Height: 29.00"  
Width: 12.25"  
Maximum Depth: 12.25"

Weight: 6.6 lbs

Box Dimensions:  
32.00"H x 14.50"W x 7.50"D



DABMAR LIGHTING INCORPORATED

2140 Eastman Ave . Oxnard, CA 93030 . 805.604.9090 . f: 805.604.9050 . www.dabmar.com