

LV709

RECESSED BRICK, STEP AND WALL LIGHT



LV709-B



LV709-CP



LV709-BZ



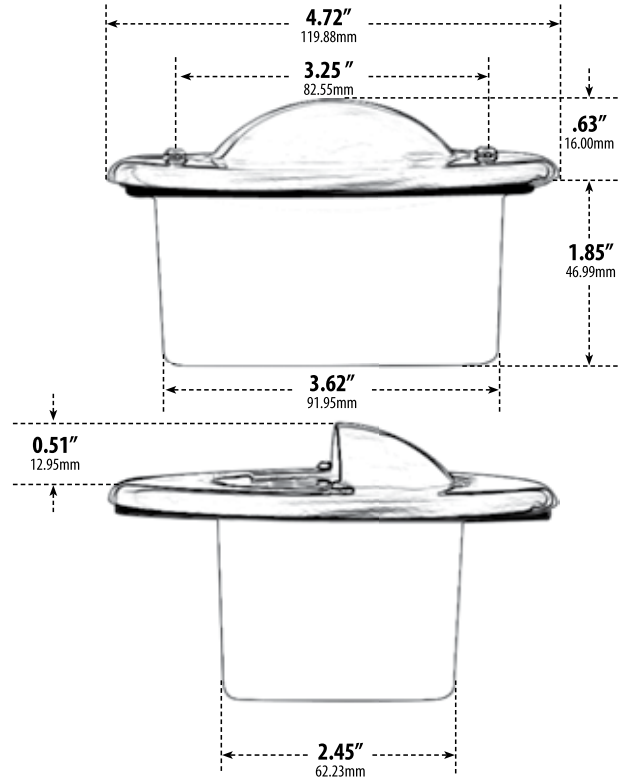
LV709-ABS



LV709-W



LV709-ABZ



- ▶ **Faceplate Material:** See below
- ▶ **Housing Material:** Powder Coated Aluminum
- ▶ **Lens:** Frosted, Heat Resistant, Tempered Glass
- ▶ **Lamp:** JC Bi-Pin Base (20W Maximum)

MODEL NUMBER	LAMP TYPE	ILLUMINANT TYPE	WATTS (W)	VOLTS (V)	LAMP(S) INCLUDED?
LV709	JC	HALOGEN	20	12	YES
LV-LED709	JC-LED	LED	1.3	12	YES

- ▶ **Available Finish (Aluminum):** Black, Bronze, White, Verde Green
- ▶ **Available Finish (Brass):** Antique Brass, Antique Bronze
- ▶ **Available Finish (Copper):** Copper
- ▶ **Recessed Mount**
- ▶ **Connector Available:** P-CN01 (sold separately) See page 89
- ▶ **Replacement Cover Plate:** P-CVR-LV709 (sold separately)
- ▶ **ETL Approved**

DABMAR
LIGHTING

DABMAR LIGHTING INCORPORATED

2140 Eastman Ave . Oxnard, CA 93030 . 805.604.9090 . f: 805.604.9050 . www.dabmar.com