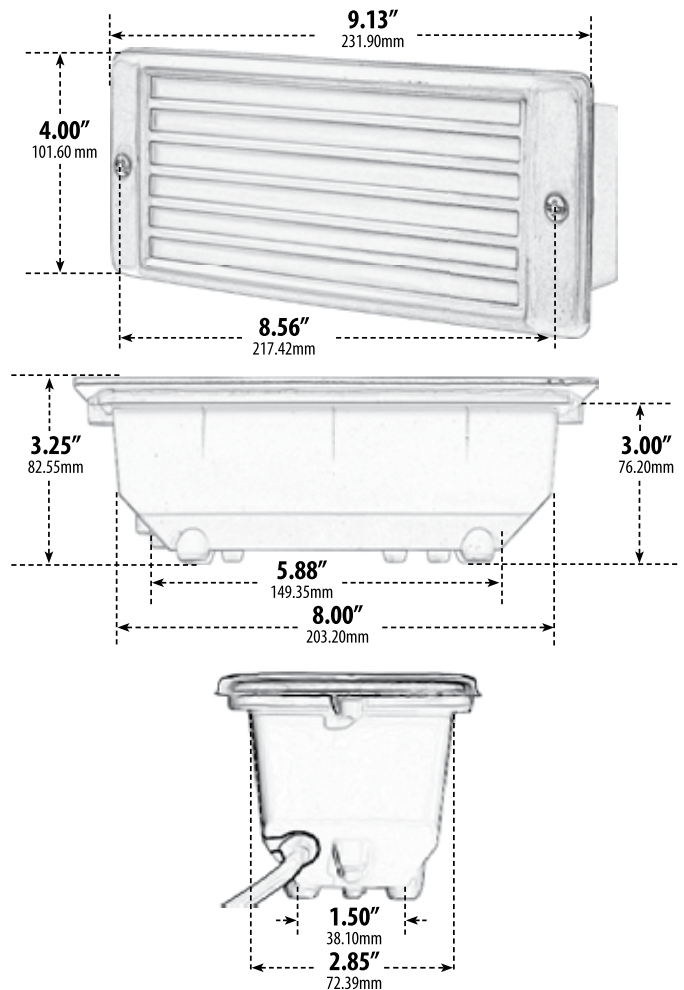


# LV601-SS304

## RECESSED LOUVERED BRICK, STEP AND WALL LIGHT



- ▶ **Faceplate Material:** 304 Stainless Steel
- ▶ **Housing Material:** Powder Coated Cast Aluminum
- ▶ **Lens:** White, Heat Resistant, Plastic
- ▶ **Lamp:** JC Bi-Pin Base Lamps (2 x 20W Maximum) or LED Circuit Board

MODEL NUMBER	LAMP TYPE	ILLUMINANT TYPE	WATTS (W)	VOLTS (V)	LAMP(S) INCLUDED?
LV601-SS304	JC	HALOGEN	2 x 20	12	YES
LV-LED601-SS304	JC-LED	30 LEDs	2 x 1.3	12	YES

- ▶ **Available Finish:** Stainless Steel
- ▶ **Recessed Mount**
- ▶ **Connector Available:** P-CN01 (sold separately)
- ▶ **Replacement Cover Plate:** P-CVR-LV601 (sold separately)
- ▶ **ETL Approved**

Overall Dimensions:  
4.00"H x 9.13"W x 3.25"D

Maximum Height: 4.00"  
Width: 9.13"  
Maximum Depth: 3.25"

Weight: 1.00 lbs  
Box Dimensions: 9.38"W x 3.50"H x 4.50"D

**DABMAR**  
LIGHTING

DABMAR LIGHTING INCORPORATED

2140 Eastman Ave . Oxnard, CA 93030 . 805.604.9090 . f: 805.604.9050 . www.dabmar.com