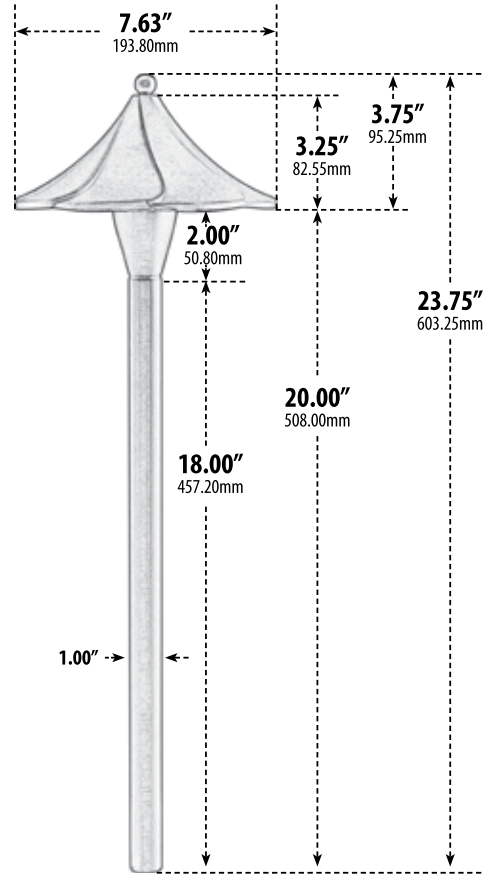


LV47

PATH, WALKWAY AND AREA LIGHT



- ▶ **Material:** Brass
- ▶ **Lens:** Clear, Heat Resistant, Tempered Glass
- ▶ **Lamp:** JC Bi-Pin Base (20W Maximum)

MODEL NUMBER	LAMP TYPE	ILLUMINANT TYPE	WATTS (W)	VOLTS (V)	LAMP(S) INCLUDED?
LV47	JC	HALOGEN	20	12	YES
LV-LED47	JC-LED	LED	1.3	12	YES

Pre-wired with UL Listed Direct Burial Wire/Cable

- ▶ **1/2" NPT**
- ▶ **Ground Spike Included for Installation**
- ▶ **Connector Available:** P-CN01 (sold separately) See page 89
- ▶ **Available Finish:** Weathered Brass
- ▶ **ETL Approved**

Overall Dimensions:
23.75"H x 7.63"W x 7.63"D

Maximum Height: 23.75"
Width: 7.63"
Maximum Depth: 7.63"

Weight: 2.8 lbs
Approximate Wire Length: 21"
Box Dimensions:
25.00"H x 8.75"W x 4.75"D

DABMAR
LIGHTING

DABMAR LIGHTING INCORPORATED

2140 Eastman Ave . Oxnard, CA 93030 . 805.604.9090 . f: 805.604.9050 . www.dabmar.com