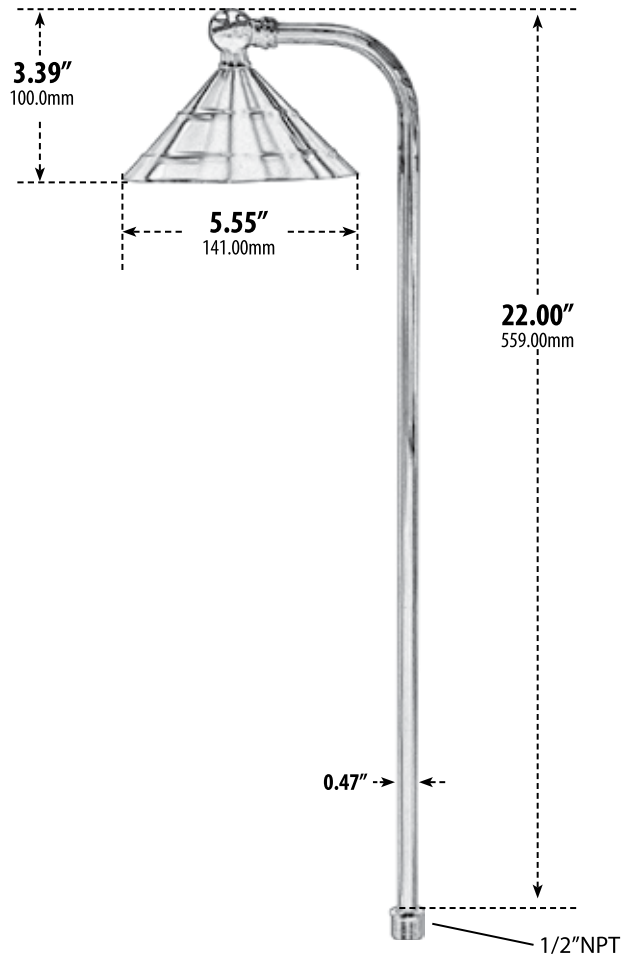


LV37

PATH, WALKWAY AND AREA LIGHT



- ▶ **Material:** Brass
- ▶ **Lens:** No Lens, Open Lamp
- ▶ **Lamp:** 93/1156 Single Contact Bayonet (21W Maximum)

MODEL NUMBER	LAMP TYPE	ILLUMINANT TYPE	WATTS (W)	VOLTS (V)	LAMP(S) INCLUDED?
LV37	93/1156	INCANDESCENT	21	12	YES

Pre-wired with UL Listed Direct Burial Wire/Cable

- ▶ **1/2" NPT**
- ▶ **Ground Spike Included for Installation**
- ▶ **Connector Available:** P-CN01 (sold separately) See page 89
- ▶ **Available Finish:** Polished Brass, Weathered Brass
- ▶ **ETL Approved**

Overall Dimensions:
22.00"H x 5.55"W x 5.55"D

Maximum Height: 22.00"
Width: 5.55"
Maximum Depth: 5.55"

Weight: 1.0 lbs

Box Dimensions:
23.63"H x 7.50"W x 6.38"D

DABMAR
LIGHTING

DABMAR LIGHTING INCORPORATED

2140 Eastman Ave . Oxnard, CA 93030 . 805.604.9090 . f: 805.604.9050 . www.dabmar.com