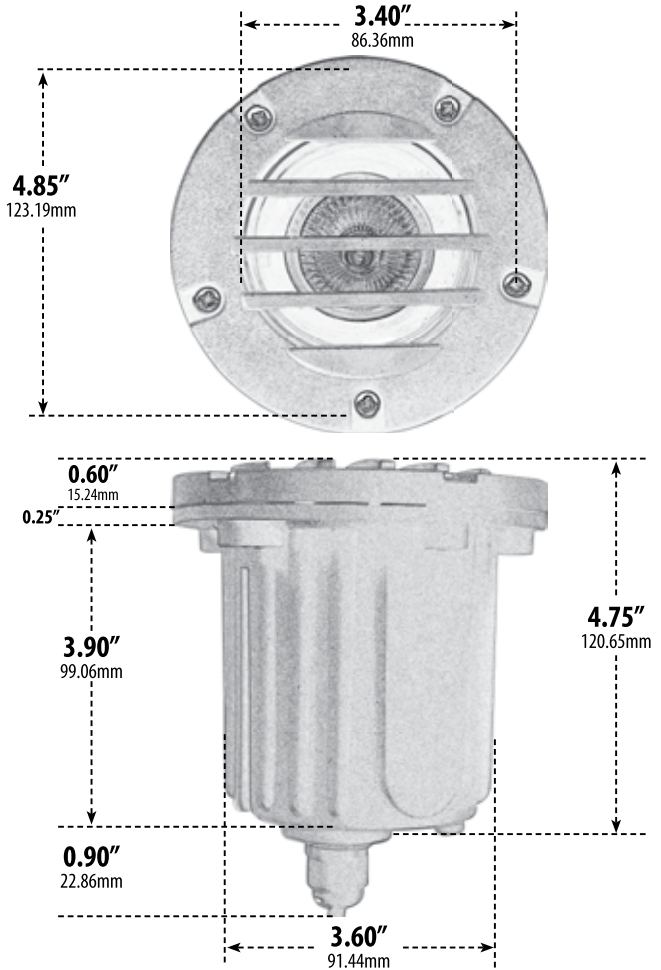


# LV346

## ADJUSTABLE IN-GROUND WELL LIGHT w/GRILL



- ▶ **Material:** Polybutylene Terephthalate (PBT)
- ▶ **Lens:** Clear, Heat Resistant, Tempered Glass
- ▶ **Lamp:** MR16 Bi-Pin Base (35W Maximum)

MODEL NUMBER	LAMP TYPE	ILLUMINANT TYPE	WATTS (W)	VOLTS (V)	LAMP(S) INCLUDED?
LV346	MR16	HALOGEN	20	12	YES
LV-LED346	MR16-LED	3 LEDs	3	12	YES

Pre-wired with UL Listed Direct Burial Wire/Cable

- ▶ **Available Finish:** Black, Bronze
- ▶ **ETL Approved**

### \*Corrosion Resistant-Ocean Front Placement

Overall Dimensions:  
5.45"H x 4.85"W x 4.85"D

Weight: 1.00 lbs  
Approximate Wire Length: 17"  
Box Dimensions:  
6.63"H x 5.13"W x 5.13"D



DABMAR LIGHTING INCORPORATED

2140 Eastman Ave . Oxnard, CA 93030 . 805.604.9090 . f: 805.604.9050 . www.dabmar.com