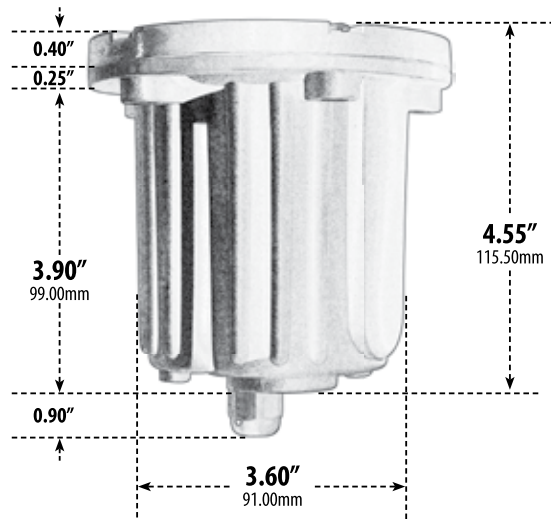
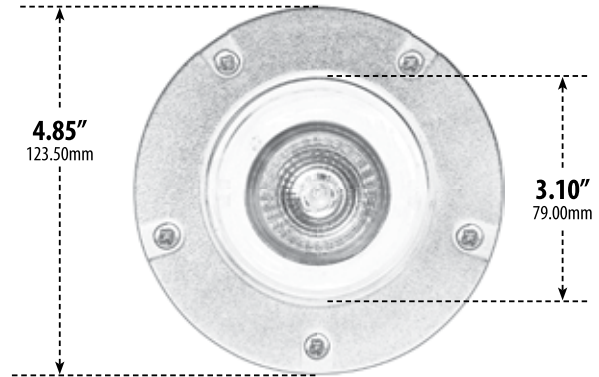


LV342

ADJUSTABLE IN-GROUND WELL LIGHT



*Corrosion Resistant-Ocean Front Placement

- ▶ **Material:** Polybutylene Terephthalate (PBT)
- ▶ **Lens:** Clear, Heat Resistant, Tempered Glass
- ▶ **Lamp:** MR16 Bi-Pin Base (35W Maximum)

MODEL NUMBER	LAMP TYPE	ILLUMINANT TYPE	WATTS (W)	VOLTS (V)	LAMP(S) INCLUDED?
LV342	MR16	HALOGEN	20	12	YES
LV-LED342	MR16-LED	3 LEDs	3	12	YES

Pre-wired with UL Listed Direct Burial Wire/Cable

- ▶ **Available Finish:** Black, Bronze
- ▶ **ETL Approved**

Overall Dimensions:
4.55"H x 4.85"W x 4.85"D

Maximum Height: 4.55"
Width: 4.85"
Maximum Depth: 4.85"

Weight: 0.0 lbs
Approximate Wire Length: 00"
Box Dimensions:
0.00"H x 0.00"W x 0.00"D

DABMAR
LIGHTING

DABMAR LIGHTING INCORPORATED

2140 Eastman Ave . Oxnard, CA 93030 . 805.604.9090 . f: 805.604.9050 . www.dabmar.com