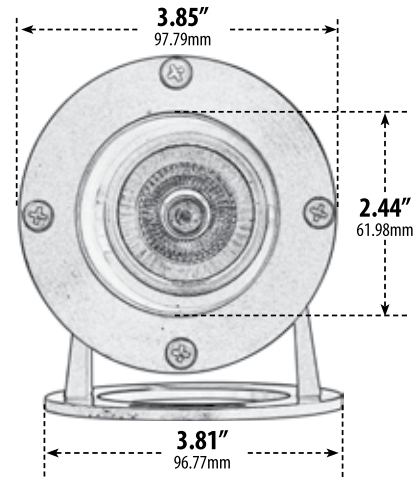
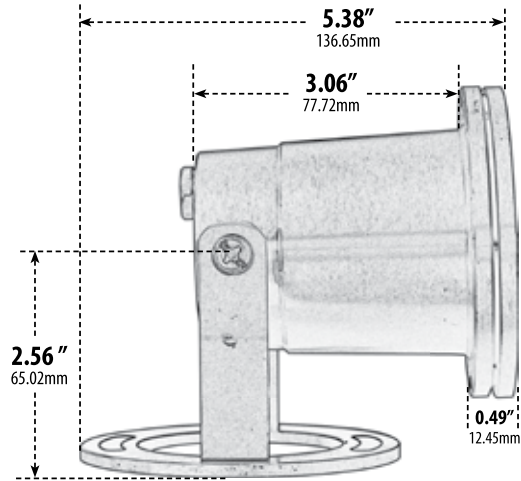


LV323-BS

POND AND FOUNTAIN UNDERWATER LIGHT



- ▶ **Material:** Brass
- ▶ **Lens:** Clear, Heat Resistant, Tempered Glass
- ▶ **Lamp:** MR16 Bi-Pin Base (50W Maximum)

MODEL NUMBER	LAMP TYPE	ILLUMINANT TYPE	WATTS (W)	VOLTS (V)	LAMP(S) INCLUDED?
LV323-BS	MR16	HALOGEN	20	12	YES
LV-LED323-BS	MR16-LED	3 LEDs	3	12	YES

- ▶ **Available Finish:** Brass
- ▶ **Pre-Wired with UL Listed 21' 16/3 Underwater Cable**
- ▶ **Adjustable Bracket**
- ▶ **Transformer:** LVT300-SUB/SS Transformer (required) Sold Separately
- ▶ **ETL Approved**

Overall Dimensions:
5.75"H x 3.85"W x 5.75"D

Maximum Height: 7.00"
Minimum Height: 4.50"
Width: 3.85"
Maximum Depth: 6.00"
Minimum Depth: 3.85"

Weight: 3.40 lbs
Approximate Wire Length: 246"
Box Dimensions: 6.50"H x 4.00"W x 4.00"D
Lamp Included

DABMAR
LIGHTING

DABMAR LIGHTING INCORPORATED

2140 Eastman Ave . Oxnard, CA 93030 . 805.604.9090 . f: 805.604.9050 . www.dabmar.com