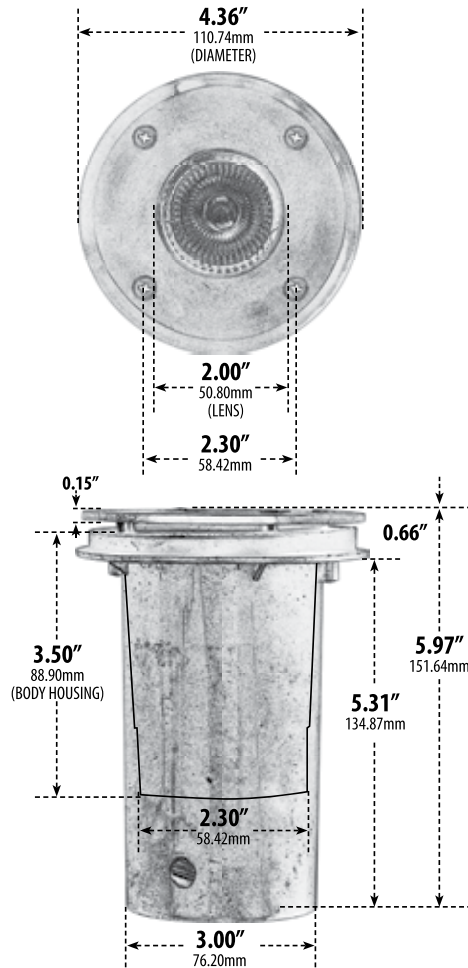


LV314

ADJUSTABLE IN-GROUND WELL LIGHT



- ▶ **Material:** Stainless Steel Cover, Aluminum Body with PVC Sleeve
- ▶ **Lens:** Clear, Heat Resistant, Tempered Glass
- ▶ **Lamp:** MR16 Bi-Pin Base (35W Maximum)

MODEL NUMBER	LAMP TYPE	ILLUMINANT TYPE	WATTS (W)	VOLTS (V)	LAMP(S) INCLUDED?
LV314	MR16	HALOGEN	20	12	YES
LV-LED314	MR16-LED	3 LEDs	3	12	YES

Pre-wired with UL Listed Direct Burial Wire/Cable

- ▶ **Available Finish:** Stainless Steel
- ▶ **ETL Approved**

Overall Dimensions:
5.97"H x 4.36"W x 4.36"D

Weight: 1.40 lbs
Approximate Wire Length: 19"

Box Dimensions:
6.24"H x 4.57"W x 4.59"D



DABMAR LIGHTING INCORPORATED

2140 Eastman Ave . Oxnard, CA 93030 . 805.604.9090 . f: 805.604.9050 . www.dabmar.com