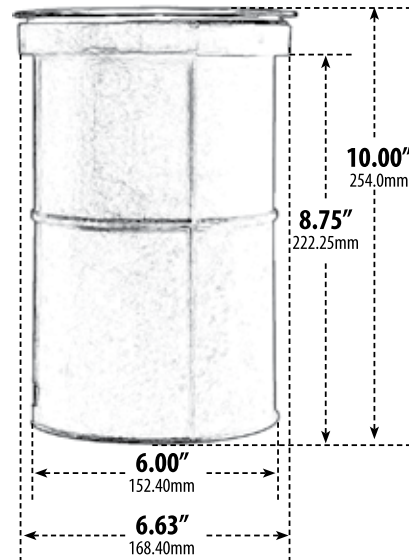
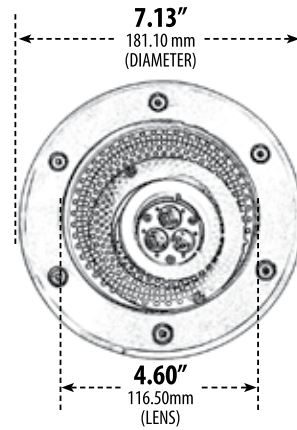


LV312

ADJUSTABLE IN-GROUND WELL LIGHT



- ▶ **Material:** Stainless Steel with PVC Sleeve
- ▶ **Lens:** Clear, Heat Resistant, Tempered Glass
- ▶ **Lamp:** MR16 or PAR36 (75W Maximum)

MODEL NUMBER	LAMP TYPE	ILLUMINANT TYPE	WATTS (W)	VOLTS (V)	LAMP(S) INCLUDED?
LV312**	MR16	HALOGEN	20	12	YES
LV-LED312	MR16-LED	3 LEDs	3	12	YES
LV312/PAR	PAR36	HALOGEN	35	12	YES
LV-LED312/PAR	PAR36-LED	60 LEDs	4	12	YES

1- Internal adjustable socket allows aiming of spotlight 2- Also available with color lamp (sold separately)
Pre-wired with UL Listed Direct Burial Wire/Cable

- ▶ **Available Finish:** Stainless Steel
- ▶ **ETL Approved**

** Add -AR111-LED to number for 14W LED (See page 91)

Overall Dimensions:
5.80"H x 4.25"W x 4.25"D

Weight: 1.40 lbs
Approximate Wire Length: 20"
Box Dimensions:
6.00"H x 4.63"W x 4.63"D

DABMAR
LIGHTING

DABMAR LIGHTING INCORPORATED

2140 Eastman Ave . Oxnard, CA 93030 . 805.604.9090 . f: 805.604.9050 . www.dabmar.com