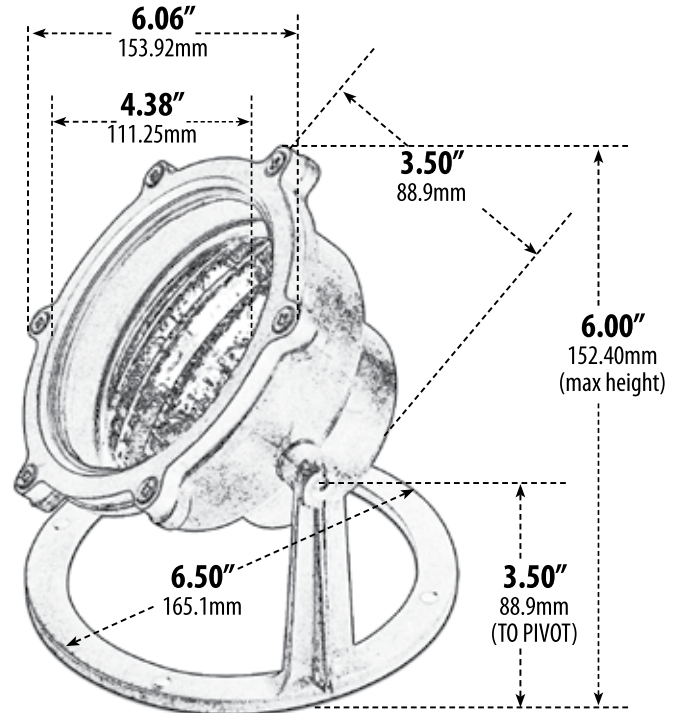


LV308-BS

POND AND FOUNTAIN UNDERWATER LIGHT



- **Material:** Brass
- **Lens:** Clear, Heat Resistant, Tempered Glass
- **Lamp:** PAR36 (50W Maximum)

MODEL NUMBER	LAMP TYPE	ILLUMINANT TYPE	WATTS (W)	VOLTS (V)	LAMP(S) INCLUDED?
LV308-BS**	PAR36	HALOGEN	35	12	YES
LV-LED308-BS	PAR36-LED	60 LEDs	4	12	YES

- **Available Finish:** Brass
- **Pre-Wired with UL Listed 21' 16/3 Underwater Cable**
- **Adjustable Bracket**
- **Transformer:** LVT300-SUB/SS Transformer (required) Sold Separately
- **ETL Approved**

** Add -AR111-LED to number for 14W LED

Overall Dimensions:
6.00"H x 6.50"W x 6.50"D

Maximum Height: 7.00"
Minimum Height: 5.50"
Width: 6.50"
Maximum Depth: 6.75"
Minimum Depth: 6.50"

Weight: 5.40 lbs
Approximate Wire Length: 252"
Box Dimensions: 5.50"H x 7.00"W x 7.00"D

DABMAR
LIGHTING

DABMAR LIGHTING INCORPORATED

2140 Eastman Ave . Oxnard, CA 93030 . 805.604.9090 . f: 805.604.9050 . www.dabmar.com