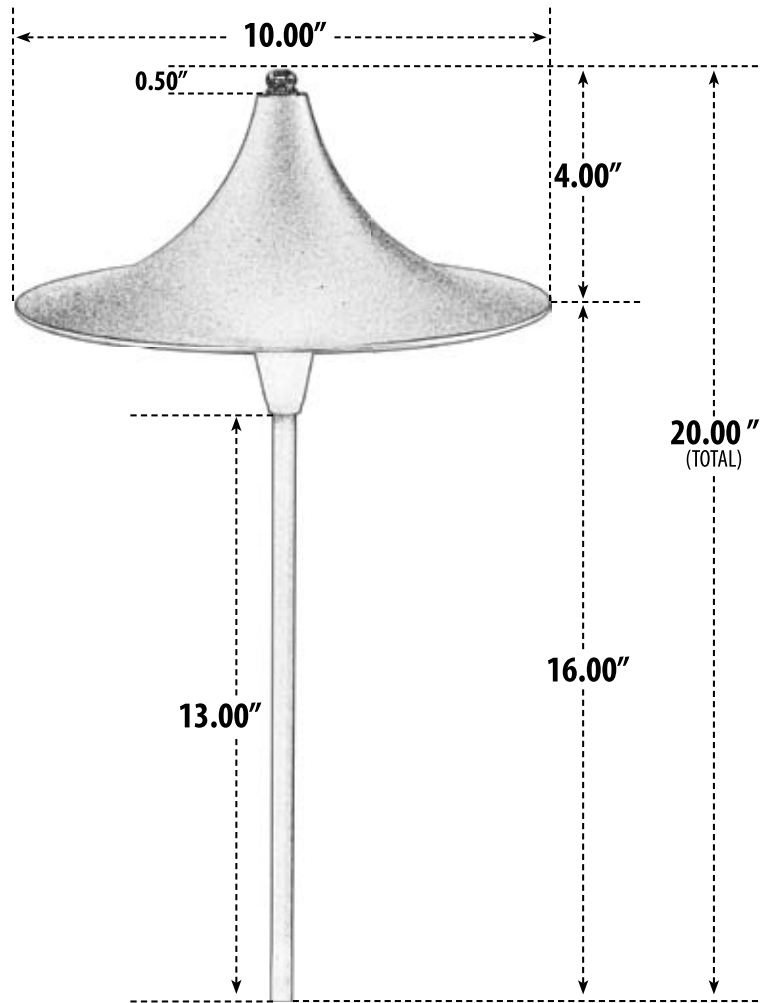


# LV219

## PATH, WALKWAY AND AREA LIGHT



- ▶ **Material:** Powder Coated Cast Aluminum
- ▶ **Lens:** No Lens
- ▶ **Lamp:** JC Bi-Pin Base (20W Maximum)

MODEL NUMBER	LAMP TYPE	ILLUMINANT TYPE	WATTS (W)	VOLTS (V)	LAMP(S) INCLUDED?
LV219	JC	HALOGEN	20	12	YES

Pre-wired with UL Listed Direct Burial Wire/Cable

- ▶ **1/2" NPT**
- ▶ **Ground Spike Included for Installation**
- ▶ **Connector Available:** P-CN01 (sold separately) See page 89
- ▶ **Available Finish:** Black, Verde Green, Green
- ▶ **ETL Approved**

Overall Dimensions:  
20.00"H x 10.00"W x 10.00"D

Maximum Height: 20.00"  
Width: 10.00"  
Maximum Depth: 10.00"

Weight: 1.40 lbs  
Approximate Wire Length: 35"  
Box Dimensions:  
12.00"H x 9.75"W x 6.75"D

**DABMAR**  
LIGHTING

DABMAR LIGHTING INCORPORATED

2140 Eastman Ave . Oxnard, CA 93030 . 805.604.9090 . f: 805.604.9050 . www.dabmar.com