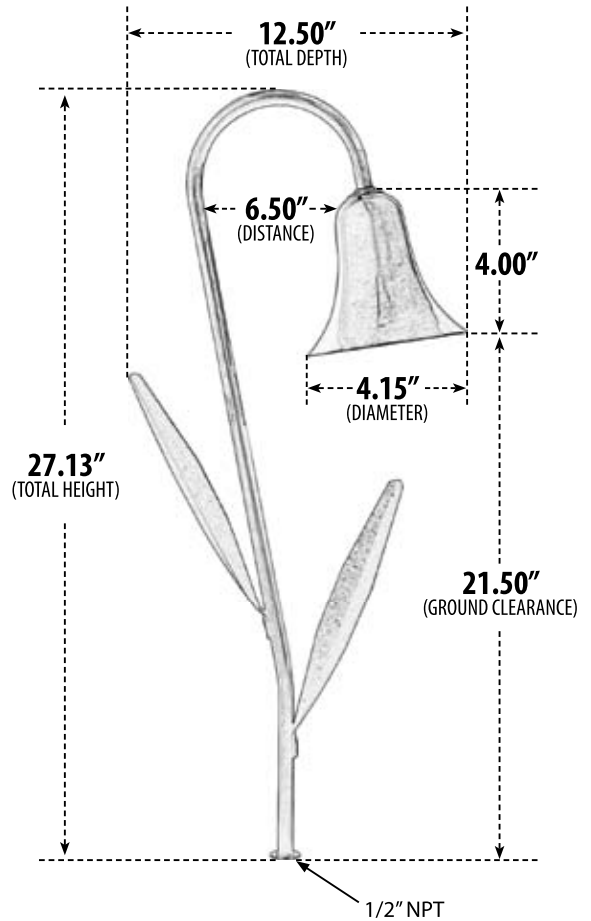


LV215-LEAF

PATH, WALKWAY AND AREA LIGHT



- ▶ **Material:** Brass
- ▶ **Lens:** No Lens, Open Lamp
- ▶ **Lamp:** JC Bi-Pin Base (20W Maximum)

MODEL NUMBER	LAMP TYPE	ILLUMINANT TYPE	WATTS (W)	VOLTS (V)	LAMP(S) INCLUDED?
LV215-LEAF	JC	HALOGEN	20	12	YES
LV-LED215-LEAF	JC-LED	LED	2.5	12	YES

Pre-wired with UL Listed Direct Burial Wire/Cable

- ▶ **1/2" NPT**
- ▶ **Ground Spike Included for Installation**
- ▶ **Connector Available:** P-CN01 (sold separately)
- ▶ **Available Finish:** Antique Brass, Antique Bronze, Acid Green
- ▶ **ETL Approved**

Overall Dimensions:
27.13"H x 4.15"W x 12.50"D

Maximum Height: 27.13"
Width: 4.15"
Maximum Depth: 12.50"

Weight: 1.40 lbs
Approximate Wire Length: 21"

DABMAR
LIGHTING

DABMAR LIGHTING INCORPORATED

2140 Eastman Ave . Oxnard, CA 93030 . 805.604.9090 . f: 805.604.9050 . www.dabmar.com