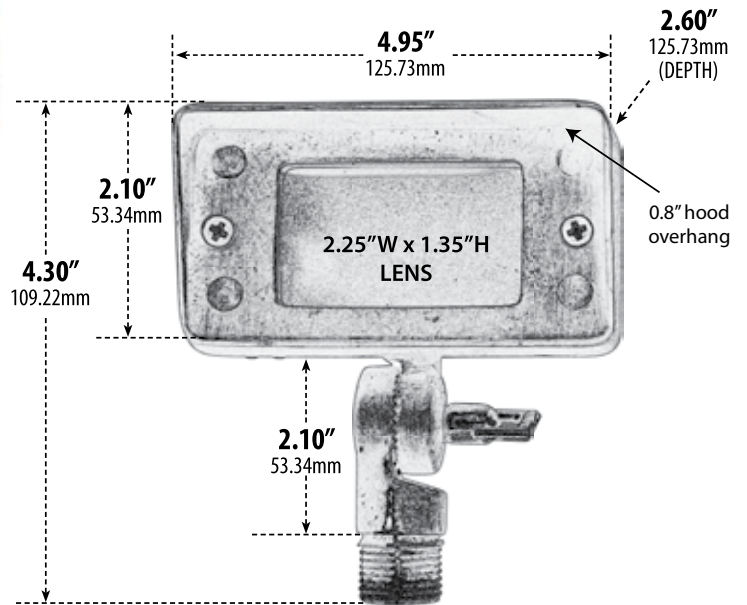


LV116

AREA FLOOD LIGHT WITH HOOD



- ▶ **Material:** Brass
- ▶ **Lens:** Frosted, Heat Resistant, Tempered Glass
- ▶ **Lamp:** JC Bi-Pin Base (50W Maximum)

MODEL NUMBER	LAMP TYPE	ILLUMINANT TYPE	WATTS (W)	VOLTS (V)	LAMP(S) INCLUDED?
LV116	JC20	HALOGEN	20	12	YES
LV-LED116	JC-LED	LED	3.2	12	YES

Pre-wired with UL Listed Direct Burial Wire/Cable

- ▶ **Adjustable Knuckle with 1/2" NPT**
- ▶ **Ground Spike Included for Installation**
- ▶ **Connector Available:** P-CN01 (sold separately)
- ▶ **Available Finish:** Weathered Brass, Antique Bronze
- ▶ **ETL Approved**

Overall Dimensions:
4.30"H x 4.95"W x 2.6"D

Maximum Height: 4.75"
Minimum Height: 4.30"
Width: 4.95"
Maximum Depth: 2.6"
Minimum Depth: 2.6"

Weight: 0.6 lbs
Approx Wire Length: 17"

Box Dimensions: 4.63"W x 9.13"H x 3.13"D

DABMAR
LIGHTING

DABMAR LIGHTING INCORPORATED

2140 Eastman Ave . Oxnard, CA 93030 . 805.604.9090 . f: 805.604.9050 . www.dabmar.com