

# LV10

## DIRECTIONAL SPOT LIGHT



- ▶ **Material:** Stainless Steel
- ▶ **Lens:** Clear, Heat Resistant, Tempered Glass
- ▶ **Lamp:** MR16 Bi-Pin Base (35W Maximum)

MODEL NUMBER	LAMP TYPE	ILLUMINANT TYPE	WATTS (W)	VOLTS (V)	LAMP(S) INCLUDED?
LV10	MR16	HALOGEN	20	12	YES
LV-LED10	MR16-LED	3 LEDs	3	12	YES

Pre-wired with UL Listed Direct Burial Wire/Cable

- ▶ **Adjustable U-Shaped Bracket with Ground Spike**
- ▶ **P-SND-01 Tree Stand** (sold separately)
- ▶ **Connector Available:** P-CN01 (sold separately)
- ▶ **Available Finish:** Stainless Steel
- ▶ **ETL Approved**

Overall Dimensions: 5.26"H x 3.24"W x 4.17"D

Maximum Height: 5.75"

Width: 3.25"

Maximum Depth: 4.50"

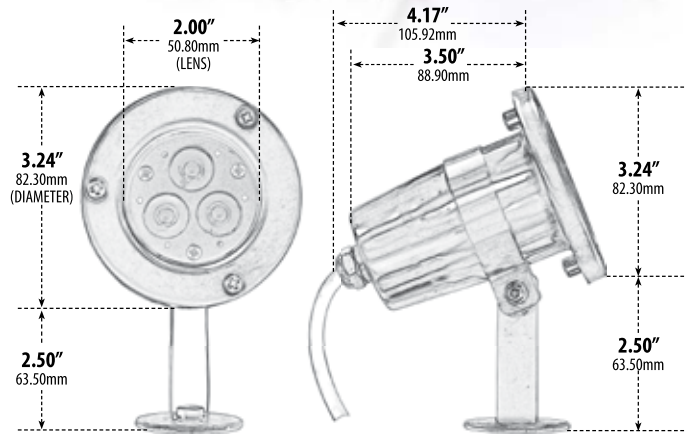
Minimum Depth: 4.25"

Weight: 0.8 lbs

Approximate Wire Length: 23"

Box Dimension:

5.75"H x 4.00"W x 4.00"D



**DABMAR**  
LIGHTING

**P-SND-01  
TREE STAND**  
(Sold Separately)

DABMAR LIGHTING INCORPORATED

2140 Eastman Ave . Oxnard, CA 93030 . 805.604.9090 . f: 805.604.9050 . www.dabmar.com