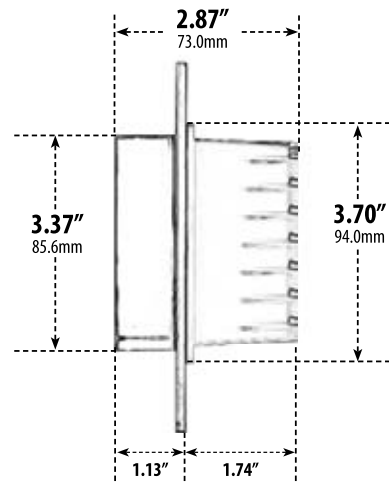
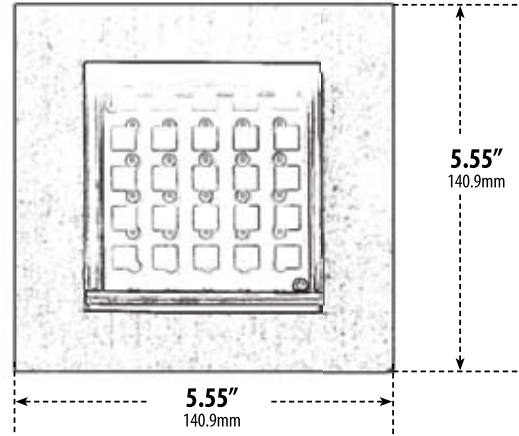


# LV-LED60

## RECESSED BRICK, STEP AND WALL LIGHT



- ▶ **Material:** Cast Aluminum
- ▶ **Lens:** Crystal Lens
- ▶ **Lamp:** Integral LED Circuit Board

MODEL NUMBER	LAMP TYPE	ILLUMINANT TYPE	WATTS (W)	VOLTS (V)	LAMP(S) INCLUDED?
LV-LED60	LED BOARD	25 LEDs	3	12	YES

Magnetic transformer recommended for LED lamps

- ▶ **Lamp Color:** White, Red, Green, Blue
- ▶ **Available Finish:** Stainless Steel
- ▶ **Recessed Mount**
- ▶ **Connector Available:** P-CN01 (sold separately)
- ▶ **ETL Approval Pending**

Overall Dimensions:  
5.55"H x 5.55"W x 2.87"D

Weight: 2.40 lbs  
Approximate Wire Length: 18"  
Box Dimensions: 6.88"H x 7.0"W x 5.00"D

**DABMAR**  
LIGHTING

DABMAR LIGHTING INCORPORATED

2140 Eastman Ave . Oxnard, CA 93030 . 805.604.9090 . f: 805.604.9050 . www.dabmar.com