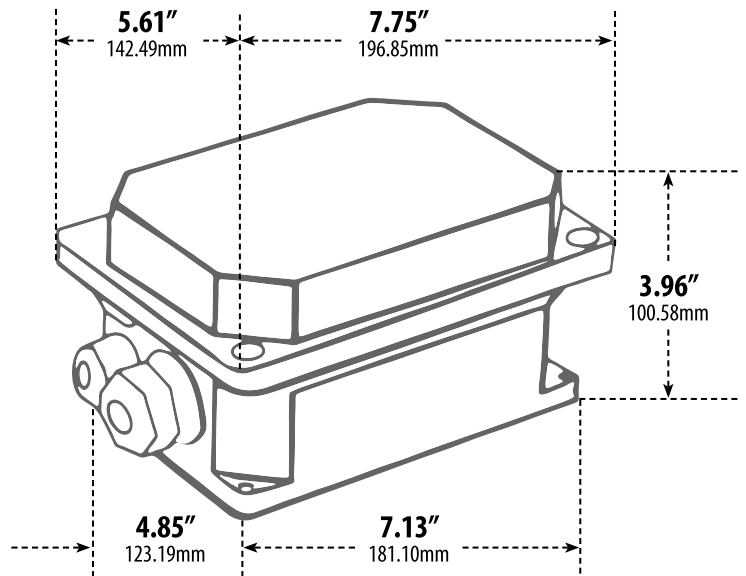


# LV-DB

## BALLAST BOX



- ▶ **Material:** Cast Aluminum
- ▶ Waterproof
- ▶ Sold with 1 Year Limited Warranty
- ▶ Two 1/2" Threaded Knock-Outs
- ▶ **Available Color:** Black

Overall Dimensions:  
3.96"H x 7.75"W x 5.61"D

Weight: 2.4 lbs  
Approximate Wire Length: N/A  
Box Dimensions: N/A

**DABMAR**  
LIGHTING

DABMAR LIGHTING INCORPORATED

2140 Eastman Ave . Oxnard, CA 93030 . 805.604.9090 . f: 805.604.9050 . www.dabmar.com