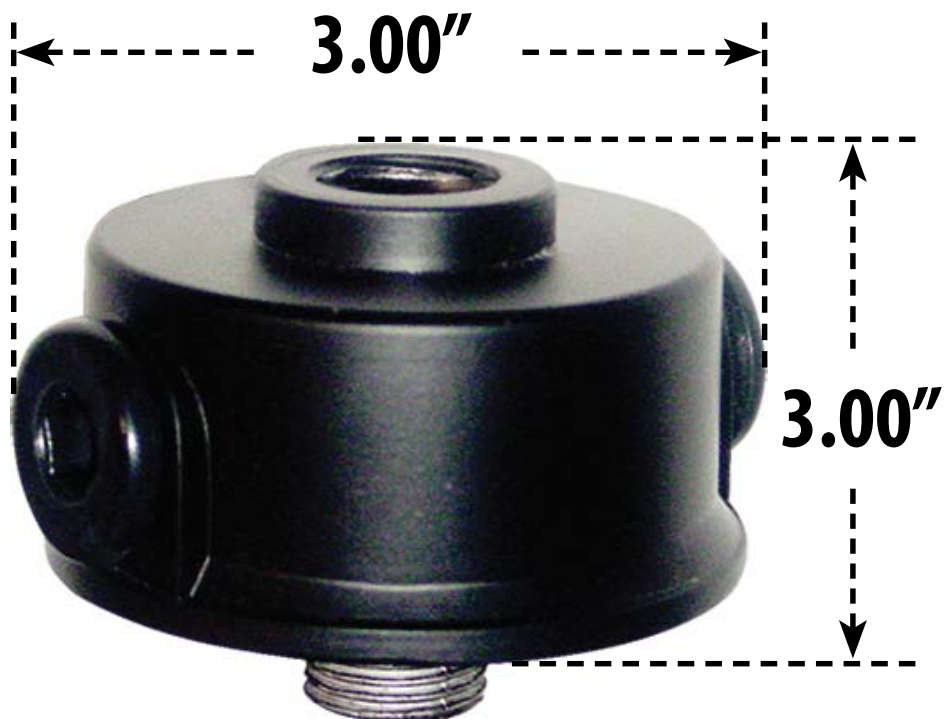


LV-3W

MALE/FEMALE X 3 FITTER



► **Material:**
Powder Coated Cast Aluminum

► **3 x 1/2" NPT**

► **Available Finish:**
Black, White,
Verde Green

Overall Dimensions:
3.00"H x 3.00"W x 3.00"D

Weight: 4.7 oz

DABMAR
LIGHTING

DABMAR LIGHTING INCORPORATED

2140 Eastman Ave . Oxnard, CA 93030 . 805.604.9090 . f: 805.604.9050 . www.dabmar.com