

BAYONET



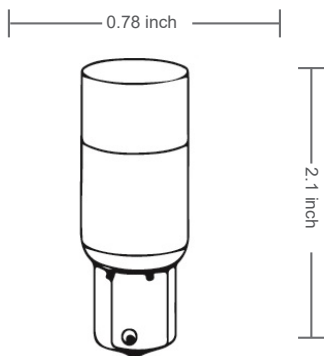
The EnVision LED bayonet bulb in LED brings lighting to the next level. Available in single and dual contact, the EnVision bayonet bulb provides a high CRI and light output that will add a nice touch to any single or dual contact bayonet fixture. Enjoy watching your energy bills fall, while also saving on replacement costs, as our bayonet is rated 25,000 hours.

Applications:

- Low Voltage Lighting
- Landscape Lighting
- Single and Dual Contact Fixtures
- Commercial and Residential Lighting

Product Information:

- Increase energy savings and shorten payback period
- High Lumen: replace existing 30W halogen
- Same size as halogen bayonet bulb
- Dimmable: With most magnetic dimmers



Type	Model	Volt	Watt	Lumen	Color	CRI	Beam Spread
Bayonet Single	LED-BN-2W-HL-WW	12V	2W	180	Warm-3000k	>80	210°
Bayonet Double	LED-BN-2W-HL-DC-WW	12V	2W	180	Warm-3000k	>80	210°