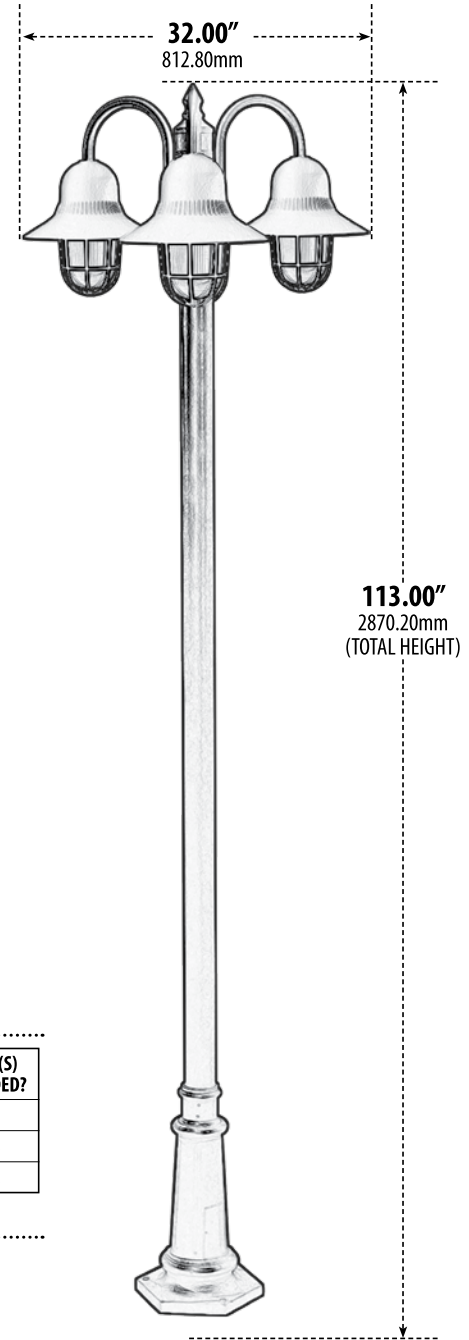
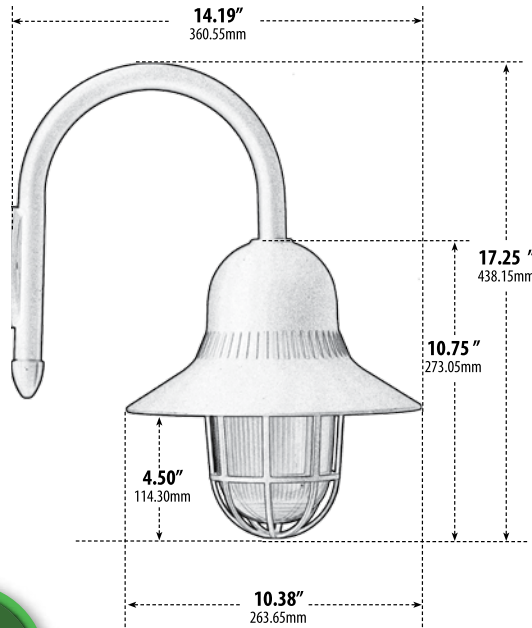


GM9913

POST FIXTURE



- ▶ **Material:** Powder Coated Cast Aluminum
- ▶ **Lens:** Frosted, Heat Resistant, Tempered Glass
- ▶ **Available Finish:** Black, White, Bronze, Verde Green
- ▶ **ETL Approved**

| MODEL NUMBER | LAMP TYPE | ILLUMINANT TYPE | WATTS (W) | VOLTS (V) | LAMP(S) INCLUDED? |
|--------------|-----------|-----------------|-----------|-----------|-------------------|
| GM9913** | A-Type | Incandescent | 3 x 60 | 120 | NO |
| GM9920 | S13-GU24 | Fluorescent | 3 x 13 | 120 | YES |
| GM9921 | S26-GU24 | Fluorescent | 3 x 26 | 120 | YES |

**AVAILABLE IN 16W LED Add -LED16 to Model Number

Overall Dimensions:
113.00"H x 32.00"W x 14.19"D

Weight: 41.40 lbs

DABMAR
LIGHTING

DABMAR LIGHTING INCORPORATED

2140 Eastman Ave . Oxnard, CA 93030 . 805.604.9090 . f: 805.604.9050 . www.dabmar.com