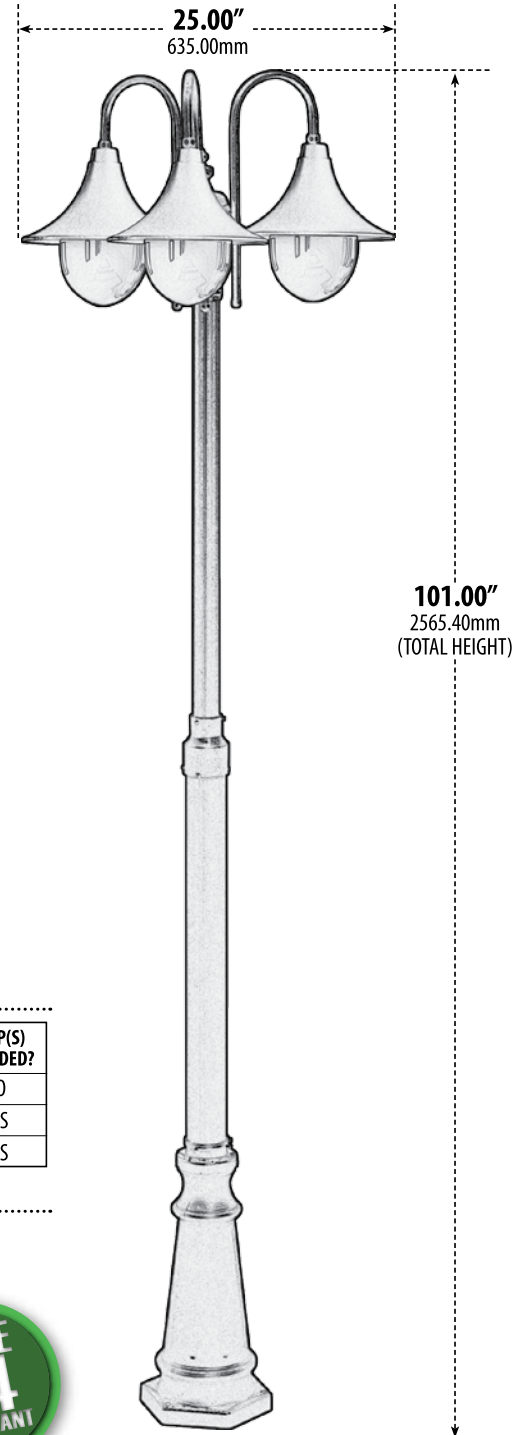


GM9903

POST FIXTURE



- ▶ **Material:** Powder Coated Cast Aluminum
- ▶ **Lens:** White, Heat Resistant, Polycarbonate
- ▶ **Available Finish:** Black, White, Bronze, Verde Green
- ▶ **ETL Approved**

MODEL NUMBER	LAMP TYPE	ILLUMINANT TYPE	WATTS (W)	VOLTS (V)	LAMP(S) INCLUDED?
GM9903**	A-Type	Incandescent	3 x 60	120	NO
GM9910	S13-GU24	Fluorescent	3 x 13	120	YES
GM9911	S26-GU24	Fluorescent	3 x 26	120	YES

**AVAILABLE IN 16W LED Add -LED16 to Model Number

Overall Dimensions:
101.00"H x 25.00"W x 12.50"D

Weight: 26.4 lbs



DABMAR
LIGHTING

DABMAR LIGHTING INCORPORATED

2140 Eastman Ave . Oxnard, CA 93030 . 805.604.9090 . f: 805.604.9050 . www.dabmar.com